

Patents, Designs, and Trade Marks

SUPPLEMENT

TO THE

NEW ZEALAND GAZETTE

OF

THURSDAY, DECEMBER 17, 1908.

Published by Authority.

WELLINGTON, WEDNESDAY, DECEMBER 23, 1908.

CONTENTS.

	Page
Complete Specifications and Drawings open to Inspection	3241
International and Intercolonial Arrangements for the Mutual Protection of Patents and Trade Marks ..	3242
Patent Publications in New Zealand	3242
Books and Documents open to Inspection at Patent Office, Wellington	3242
Official Publications	3243
Local Patent Offices	3243
Name Index of Patents, 1861-1889	3243
Classified Abridgments of New Zealand Inventions at Auckland, Christchurch, and Dunedin	3243
Notices <i>re</i> Holidays	3243
Applications for Letters Patent filed	3243
Complete Specifications filed after Provisionals	3244
Complete Specifications accepted	3244
Provisional Specifications accepted	3249
Letters Patent sealed	3249
Letters Patent on which Fees have been paid	3249
Subsequent Proprietors of Letters Patent registered	3249
Applications for Letters Patent abandoned	3249
Applications for Letters Patent void	3250
Applications for Letters Patent lapsed	3250
Notice of Request to amend Specification	3250
Letters Patent void	3250
Design expired	3250
Applications for Registration of Trade Marks	3250
Trade Marks registered	3258
Subsequent Proprietor of Trade Mark registered	3258
Trade Mark Renewal Fees paid	3258
Trade Marks removed from the Register	3258

Complete Specifications and Drawings open to Inspection at Auckland, Dunedin, and Christchurch.

COPIES of the complete specifications and drawings advertised in the *Gazette* will be sent for public inspection to the

LOCAL PATENT OFFICES IN THE SUPREME COURT BUILDINGS

in the following towns on or about the dates mentioned:—

Auckland.

Gazette No. 105, of the 23rd December. 6th January to 20th January, inclusive.

Dunedin.

Gazette No. 105, of the 23rd December. 27th January to 10th February, inclusive.

Gazette No. 100, of the 10th December. 8th January to 23rd January, inclusive.

Gazette No. 94, of the 26th November. 23rd December to 6th January, inclusive.

Christchurch.

Gazette No. 105, of the 23rd December. 15th February to 1st March, inclusive.

Gazette No. 100, of the 10th December. 28th January to 11th February, inclusive.

Gazette No. 94, of the 26th November. 11th January to 25th January, inclusive.

Gazette No. 91, of the 12th November. 30th December to 13th January, inclusive.

[NOTE.—The office can take no responsibility if from any cause the specifications are not so available.]

International and Intercolonial Arrangements for the Mutual Protection of Patents and Trade Marks.

INTERNATIONAL CONVENTION.

THE following countries now belong to the Convention:—

Australia.	Italy.
Belgium.	Japan.
Brazil.	Mexico.
Ceylon.	New Zealand.
Cuba.	Norway.
Denmark and Faroe Islands.	Portugal, with the Azores and Madeira.
Dominican Republic.	Servia.
France, with Algeria and Colonies.	Spain.
Germany.	Sweden.
Great Britain.	Switzerland.
Holland, with East Indian Colonies, Curaçoa, and Surinam.*	Tunis.
	United States of America.

* Trade marks only.

Separate arrangements have been made between Australia and New Zealand.

Particulars of the Convention and of such arrangements may be seen in the following *Gazettes*:—

Notification of adhesion of New Zealand to the Convention, with text thereof (in English), in the *Gazette* of 26th November, 1891; notification of adherence of New Zealand to the Additional Act of the Convention, with text (in English), of such Additional Act, in Patents Supplement to *Gazette* No. 101, of the 16th November, 1905; Order in Council applying section 103 of the Imperial Act to New Zealand, in *Gazette* No. 27, of the 15th May, 1890; Orders in Council containing arrangements between Australia and New Zealand, in Patent Supplements to the *Gazette* Nos. 22 of the 9th March, 1905, and 38 of the 20th April, 1905.

Patent Publications in New Zealand.

THE following publications relating to Patents for inventions, &c., are open to inspection in the Dominion:—

WELLINGTON.—PATENT OFFICE LIBRARY.

United Kingdom.

The full text of the specifications and complete drawings of inventions patented from the year 1617 up to the 3rd September, 1908.

Classified illustrated abridgments of inventions from 1855 to 1905 and part of 1906.

Illustrated Official Journal, containing lists of recent applications, abridgments of inventions for which patents have been lately granted, patents void, &c., to November, 1908.

Index of Applicants.
Subject-matter Index.
Commissioner of Patents Journal, &c.(a).
Trade Marks Journal to May, 1908.

Canada.

Patent Office Record (containing illustrated abridgments of inventions, &c.) to June, 1908.

Australia.

The full text of the specifications and complete drawings in respect of applications accepted from the 11th January, 1906, to the 31st March, 1908, inclusive.

The Official Journal of Patents of the Australian Commonwealth (containing lists of applications for letters patent, abridgments of complete specifications accepted, &c.).

The Australian Official Journal of Trade Marks (containing lists of applications for registration of trade marks, &c.).

Specifications, drawings, abridgments, and indexes of Victoria, New South Wales, Queensland, and South Australia(b).

United States.

The full text of the specifications and drawings for the year 1905.

The Official Gazette of the United States Patent Office (containing illustrated abridgments of specifications, &c.) to October, 1908.

Mexico.

The Official Gazette of the Patent and Trade Mark Office.

(a) Discontinued.

(b) In arrears. Not now being printed.

General.

La Propriété Industrielle (the official organ of the International Bureau of the Union for the Protection of Industrial Property).

Patent laws of the world.
Patent and Trade Mark Review.
Text-books and handbooks on patents and trade marks.

AUCKLAND. PUBLIC LIBRARY.

United Kingdom.

Classified abridgments of inventions from 1855 to 1904.
Illustrated Official Journal from 1897 to date.

Canada.

Patent Office Record (containing illustrated abridgments of inventions, &c.) from 1897 to date.

Australia.

The Official Journal of Patents from 1905 to date.

United States.

The Official Gazette of the United States Patent Office (containing illustrated abridgments of specifications, &c.) from 1885 to 1887 and 1890 to 1895.

CHRISTCHURCH.—PUBLIC LIBRARY.

United Kingdom.

Classified abridgments of inventions from 1855 to 1904.
Illustrated Official Journal from October, 1905, to date.

Canada.

Patent Office Record (containing illustrated abridgments of inventions, &c.) from 1897 to date.

Australia.

The Official Journal of Patents from 1905 to date.

DUNEDIN.—TOWN HALL.

United Kingdom.

Classified abridgments of inventions from 1855 to 1904.
Illustrated Official Journal from October, 1905, to date.

Australia.

The Official Journal of Patents from 1905 to date.

Books and Documents open to Inspection at Patent Office, Wellington.

THE following documents and books are open to public inspection at the Patent Office:—

PATENTS.

(Fee for each search or inspection, not exceeding one hour, 1s.)

1. The files relating to all applications for letters patent in respect of which complete specifications have been accepted.
2. Classified copies of specifications and drawings, with index and key(a).
3. Register of Applications for Letters Patent.
4. Register of Patents.
5. Register of Subsequent Proprietors of Letters Patent(b).
6. Index of Patentees(c).
7. Index of Proprietors of Letters Patent granted prior to 1890(d).
8. Index of Specifications(e).

DESIGNS.

(Search fee, 1s. each quarter of an hour.)

1. Register of Designs, with Index of Names of Proprietors.
2. Classified Representations of Designs in respect of which Copyright has expired.
3. Index of Designs.

(a) Key is in card index.

(b) This Register contains only names of subsequent proprietors of letters patent granted prior to 1st January, 1890: since that date they appear in Register of Patents.

(c) Includes all names of applicants, &c., and consists of four volumes to 4th November, 1908, and card index since that date. A separate card index is kept for current quarter.

(d) The names of proprietors of subsequent letters patent appear in the Index of Patentees.

(e) Contains classified abridgments of specifications from 1861, with extracts from drawings from July, 1904.

TRADE MARKS.

(Search fee, 1s. each quarter of an hour.)

1. The files relating to all applications for registration of trade marks.
2. Register of Applications for Registration of Trade Marks.
3. Register of Trade Marks.
4. Index of Applicants for Registration of Trade Marks^(a).
5. Index of Trade Marks.
6. Classified Representations of Trade Marks, with indexes.

MISCELLANEOUS.

Register of Patent Agents.

FORMS AND PUBLICATIONS.

The following forms, &c., may be had on application at the Patent Office, Wellington, or at any of the local Patent Offices named below:—

- Application for letters patent.
- Provisional specification.
- Complete specification and copy thereof.
- Application for registration of design.
- Application for registration of trade mark.
- Applications for extension of time.
- Requests by subsequent proprietor to enter name on Register of Patents and Trade Marks.
- Printed sheets of information as to fees and procedure to obtain letters patent and to register a trade mark^(b).
- Pamphlet containing Act and Regulations (price 1s.).

^(a) Names of applicants for registration and proprietors of trade marks are indexed at the beginning of the Registers up to 31st December, 1889; in separate volume up to 5th September, 1904; and since the latter date in card index.

^(b) May also be obtained at any local Patent Office or money-order office.

Official Publications.

THE following publications may be obtained from the Government Printer, Wellington:—

- Printed specifications to the end of the year 1879.
- Annual lists of letters patent and letters of registration applied for, and particulars of applications lapsed, and patents lapsed, from 1880 to 1893 inclusive. (The lists for the last four of these years are contained in the *Annual Reports of the Registrar*.)
- Annual reports of the Registrar, containing alphabetical indexes of applicants for letters patent and of subject-matter of inventions patented from 1894 to 1906 inclusive.
- The Patents Supplement to *Gazette* (containing notifications, applications for letters patent, abridged descriptions and drawings of inventions, &c.), published fortnightly.

Local Patent Offices.

LOCAL Patent Offices for the reception of applications, supply of forms, &c., have been established at the following places:—

- Auckland—Supreme Court. (E. W. Cave, agent.)
- Whangarei—Courthouse. (W. J. Reeve, agent.)
- Thames—Courthouse. (J. Jordan, agent.)
- Waikato—Courthouse. (J. McIndoe, agent.)
- Hamilton—Courthouse. (H. J. Dixon, agent.)
- Gisborne—Courthouse. (G. J. A. Johnstone, agent.)
- New Plymouth—Courthouse. (J. Terry, agent.)
- Napier—Courthouse. (A. Trimble, agent.)
- Wanganui—Courthouse. (C. A. Barton, agent.)
- Taihape—Courthouse. (W. Baker, agent.)
- Palmerston North—Courthouse. (C. J. Hewlett, agent.)
- Masterton—Courthouse. (M. Foley, agent.)
- Nelson—Courthouse. (E. C. Kelling, agent.)
- Blenheim—Courthouse. (F. W. Hart, agent.)
- Westport—Courthouse. (O. B. Bowling, agent.)
- Greymouth—Courthouse. (B. Harper, agent.)
- Hokitika—Courthouse. (J. N. Nalder, agent.)
- Christchurch—Supreme Court. (W. W. Samson, agent.)
- Ashburton—Courthouse. (J. Fitzgerald, agent.)
- Timaru—Courthouse. (T. W. Taylor, agent.)
- Oamaru—Courthouse. (A. A. Mair, agent.)
- Dunedin—Supreme Court. (T. E. Roberts, agent.)
- Clyde—Courthouse. (F. T. D. Jeffery, agent.)
- Gore—Courthouse. (G. H. Lang, agent.)
- Queenstown—Courthouse. (A. J. Thompson, agent.)
- Invercargill—Courthouse. (J. R. Colyer, agent.)

Name Index.—Patents.

Vol. I, 1861 to 1889.

MAY be obtained from the GOVERNMENT PRINTER.

PRICE, 2s. 6d.

Classified Abridgments of New Zealand Inventions open to inspection at Auckland, Christchurch, and Dunedin.

CLASSIFIED abridgments of complete specifications gazetted from the 1st January to the 30th September, 1908, are open to public inspection at the local Patent Offices at Auckland, Christchurch, and Dunedin.

Christmas and New Year Holidays.

Office of the Minister of Internal Affairs,
Wellington, 28th November, 1908.

IT is hereby notified for general information that Friday, the 25th December, Saturday, the 26th December, and Monday, the 28th December, 1908, and Friday, the 1st January, and Saturday, the 2nd January, 1909, will be observed as holidays in the public offices of the Government of New Zealand.

By order.

HUGH POLLEN,
Under-Secretary.

Christmas and New Year Holidays.—Local Patent Offices.

LOCAL Patent Offices throughout the Dominion will be closed from the 24th December, 1908, to the 2nd January, 1909, both days inclusive.

Applications for Letters Patent filed.

LIST of applications for Letters Patent filed. (Where a complete specification accompanies an application an asterisk is affixed; in all other cases a provisional specification has been lodged. In all cases where the applicant is not the inventor the name of the latter appears in italics after the title.)

- No. 25305.—9th December.—United Shoe Machinery Company, Paterson, U.S.A.
Leather-skiving machine. (*A. E. Jerram, A. Bates, and J. Gouldbourn.*)
- No. 25306.—9th December.—T. Parker, Wednesfield, Eng.
Coal, &c., distillation.*
- No. 25307.—9th December.—W. Moore, Traralgon, Vic.
Wire-strainer.*
- No. 25308.—9th December.—J. H. Muir, J. D. Muir, G. T. Muir, T. McL. Muir, and J. K. Muir, Melbourne, Vic.*
Bedstead.
- No. 25309.—9th December.—R. Raby, Ingliston, Vic.
Tap.*
- No. 25310.—9th December.—W. H. Blackham, Melbourne, Vic.
Ejector-governor.*
- No. 25311.—9th December.—G. Lunt, Cropton, Eng.
Bread-manufacture.*
- No. 25312.—9th December.—C. V. Boys and J. W. Tierney, London, Eng.
Producing reciprocating motion.* (Date applied for under section 106 of the Act, 11th December, 1907.)
- No. 25313.—9th December.—H. C. Forest, Randwick, N.S.W.
Bottle-washing-machine rack.*
- No. 25314.—9th December.—United Shoe Machinery Company, Paterson, U.S.A.
Boot-machine.* (*E. J. Keyes.*)
- No. 25315.—9th December.—United Shoe Machinery Company, Paterson, U.S.A.
Boot-machine positioning apparatus. (*A. Bates.*)
- No. 25316.—9th December.—United Shoe Machinery Company, Paterson, U.S.A.
Boot-machine jack. (*C. S. Wells.*)

- No. 25317.—9th December.—United Shoe Machinery Company, Paterson, U.S.A.
Boot sole-machine. (*F. E. Bertrand.*)
- No. 25318.—9th December.—United Shoe Machinery Company, Paterson, U.S.A.
Heel-finishing machine. (*A. Bates*)
- No. 25319.—9th December.—G. E. White, R. P. Baker, and F. J. Jackson, Manaia, N.Z.
Liquid measuring, &c., apparatus.*
- No. 25320.—9th December.—P. J. Lewis, Lyndhurst, N.Z.
Wire-strainer.
- No. 25321.—7th December.—B. H. Nees, Dunedin, N.Z.
Metal coupling for wooden frame.*
- No. 25322.—9th December.—G. E. Cross, Tuapeka, N.Z.
Current and tide motor.
- No. 25323.—10th December.—W. F. Lietz and D. O'Connor, Wellington, N.Z.
Producing a plastic material from flax-fibre.
- No. 25324.—10th December.—A. G. Clements, Rongotea, N.Z.
Billiard-cue tip.*
- No. 25325.—10th December.—C. Lewes, New Plymouth, N.Z.
Spanner.
- No. 25326.—11th December.—D. Fraser, Petone, N.Z.
Revolving jig-saw.
- No. 25327.—8th December.—W. E. Swain, Huntly, N.Z.
Window.
- No. 25328.—11th December.—C. Murray, Granity, N.Z.
Rope-grip.
- No. 25329.—9th December.—E. Ibbotson, Gore, N.Z.
Washing fluid.*
- No. 25330.—9th December.—A. W. B. Corry, Napier, and C. H. Alley, Fardon, N.Z.
Nail-punch.
- No. 25331.—9th December.—O. A. Baechler, Zurich, Switzerland.
Manufacture of casein.* (Date applied for under section 106 of the Act, 20th March, 1908.)
- No. 25332.—9th December.—H. L. Mainland, Burke's, N.Z.
Spring-jaw trap attachment.
- No. 25333.—8th December.—W. Carr, Alexandra, N.Z., and A. E. Spooner, Alexandra South, N.Z.
Current motor.*
- No. 25334.—8th December.—A. H. Wright, Kelburne, N.Z.
Display sheets for advertising.
- No. 25335.—8th December.—J. A. Brown, Dunedin, N.Z.
Cock and tap.*
- No. 25336.—9th December.—J. Wilson and J. Hilford, Auckland, N.Z.
Driving belt and pulley.
- No. 25337.—17th December.—D. and G. Gilberd, Henderson, N.Z.
Friction clutch.*
- No. 25338.—12th December.—H. A. Hesketh, Auckland, N.Z.
Time gas-cut-off with electric alarm.*
- No. 25339.—12th December.—H. Reynolds, New Brighton, N.Z.
Starting barrier for horse-racing.
- No. 25340.—14th December.—F. N. Norris, Kilbirnie, N.Z.
Non-refillable bottle.
- No. 25341.—11th December.—H. Quartier, Timaru, N.Z.
Recording and tallying device.
- No. 25342.—14th December.—H. Broadbent, Dunedin, N.Z.
Folding-chair.*
- No. 25343.—15th December.—T. McDonough, Collingwood, Vic.
Wool scouring and drying machine.* (Date applied for under section 106, 22nd August, 1908.)
- No. 25344.—11th December.—T. G. Given, Dunedin, N.Z.
Tent-peg.
- No. 25345.—15th December.—W. L. Imlay, Conestoga, U.S.A.
Metal-extraction.*
- No. 25346.—15th December.—H. E. Smith, Edinburgh, Scotland.
Carburettor.*
- No. 25347.—16th December.—G. S. Dahlgren, Hawthorn, Vic.
Cream-separator.
- No. 25348.—12th December.—J. Waechter-Gerber, Zurich, Switzerland.
Vacuum cleaning-apparatus.*
- No. 25349.—12th December.—H. Thomas, London, Eng.
Meat-slicing machine.*
- No. 25350.—15th December.—W. J. Harvey, Taihape, N.Z.
Automatic air-retainer shield.
- No. 25351.—16th December.—P. W. Fryer, Prebbleton, N.Z.
Straw-elevator.
- No. 25352.—14th December.—W. J. S. Layton, Auckland, N.Z.
Chair-leg cushion.
- No. 25353.—14th December.—J. Pomeroy, Invercargill, N.Z.
Glass-washing appliance.
- No. 25354.—4th December.—J. Queded, Edendale, N.Z.
Cheese-case-making appliance.
- No. 25355.—18th December.—G. Goodwin, Wellington, N.Z.
Rein-holder and wheel-lock.
- No. 25356.—19th December.—G. T. Stewart and H. H. Stewart, Featherston, N.Z.
Automatic variable pulley.
- No. 25357.—15th December.—G. E. Cross, Tuapeka Mouth, N.Z.
Branding-apparatus.
- No. 25358.—17th December.—A. J. Whett and J. L. Thornton, Wanganui, N.Z.
Brick, &c., making composition.
- No. 25359.—17th December.—E. B. Hughes, Wanganui, N.Z.
Saw.
- No. 25360.—18th December.—C. B. Massey, Christchurch, N.Z.
Medicine.*
- No. 25361.—14th December.—R. N. Adams, Dunedin, N.Z.
Tent-peg.
- No. 25362.—21st December.—R. S. Newcomb, Auckland, N.Z.
Closet or privy.*
- No. 25363.—21st December.—D. P. Hendriksen, Wellington, N.Z.
Seat attachment to go-cart, &c.
- No. 25364.—21st December.—J. Forsyth and T. Lawrence, Wellington, N.Z.
Household cooler.
- No. 25365.—21st December.—H. C. Franklin, Westport, N.Z.
Bicycle-pump tube.
- No. 25366.—21st December.—A. J. Bond, Auckland, N.Z.
Cycle pedal driving-gear.
- No. 25367.—21st December.—C. W. Allman-Marchant Winton and W. Diack, Centre Bush, N.Z.
Umbrella.

Complete Specifications filed after Provisionals.

LIST of complete specifications filed after provisional specifications, from the 8th to the 21st December, 1908, inclusive:—

- No. 24042.—J. R. Noble and F. C. Brown, method of feeding tube mills.
- No. 24105.—A. C. Murray, kerosene-tin handle.
- No. 24111.—O. Bredhorst, spring-cart.
- No. 24114.—R. A. Fonseca, window-sash balance.
- No. 24122.—N. Guthridge, ore-concentrator. (W. L. and F. S. Card.)
- No. 24141.—J. Harrison and G. P. Martin, animal-cover.
- No. 24171.—United Shoe Machinery Company, assembling parts of boots and shoes. (O. Ashton.)
- No. 24172.—United Shoes Machinery Company, pulling-over machine. (O. Ashton.)
- No. 24173.—United Shoe Machinery Company, sewing-machine. (J. R. Scott.)
- No. 24648.—A. W. H. Vivian, G. L. Davies, and L. Grote, artificial fuel.
- No. 25295.—F. E. Ross, milking-bail.

Notice of Acceptance of Complete Specifications.

Patent Office,
Wellington, 23rd December, 1908.

COMPLETE specifications relating to the undermentioned applications for Letters Patent have been accepted, and are open to public inspection at this office. Any person may, at any time within two months from the date of this *Gazette*, give me notice in writing of opposition to the grant of any such patent. Such notice must set forth the particular grounds of objection, and be in duplicate. A fee of 10s. is payable thereon.

No. 23550.—3rd October, 1907.—ALFRED JARRETT, of 13 Broadway, Glebe, near Sydney, New South Wales, Australia, Lamp-maker and Sheet-metal Worker. An improved attachment to the chimney or globes of lamps and similar lighting-appliances.

Claim.—(1.) In devices of the class indicated, a metal disc stamped or cast in the form of a dome, having radial deflecting arms and vanes projecting from its outer periphery, substantially as described and illustrated, and for the purposes set forth.

[NOTE.—Here follow three other claims.]

(Specification, 3s. 6d.; drawing, 1s.)

No. 23793.—5th December, 1907.—FRANK TONKS (trading as "Frank Tonks and Co."), of 49 Webb Street, Wellington, New Zealand, Brickmaker. Improvements in and relating to chimneys.*

Claim.—(1.) For the purpose indicated, a chamber surrounding the base of a chimney, and arches piercing the base of the chimney and communicating with the chamber, substantially as set forth.

[NOTE.—Here follow three other claims.]

(Specification, 3s. ; drawing, 2s.)

No. 23805.—10th December, 1907.—JOSEPH McHALICK, of Takapau, New Zealand, Contractor. An improved implement for use in road-formation.*

Claims.—(1.) A road-forming implement characterized by the combination with a ploughshare, of a pair of shear-boards extending rearwardly from the share, and arranged so as to diverge from each other from their point of attachment with the share, substantially as specified. (2.) A road-forming implement consisting of a pair of shear-boards joined together at their forward ends and diverging from each other, a running-wheel carried by such boards, and means for lowering and raising them in relation to such wheel, in combination with a ploughshare attached to the forward ends of the shear-boards, and means whereby the point of such share may be adjusted in relation to the shear-boards, substantially as specified. (3.) The general arrangement, construction, and combination of parts in my improved implement for use in road-formation, substantially as described and explained, and for the several purposes set forth.

(Specification, 4s. 6d. ; drawing, 1s.)

No. 23811.—11th December, 1907.—UNITED SHOE MACHINERY COMPANY, of Paterson, in the State of New Jersey, United States of America, a corporation duly organized under the laws of said State of New Jersey, carrying on business as Shoe-machinery Manufacturers, and having a place of business at 205 Lincoln Street, Boston, in the Commonwealth of Massachusetts, in said United States of America (assignees of Arthur Bates, of Leicester, England, Engineer.) Improvements in in-seam-trimming machines.*

Claim.—(1.) An in-seam-trimming machine, having, in combination, a trimming-knife, a guide arranged to engage a shoe externally, an internal guide arranged to engage the inner surface of the lip of the insole in line with the external guide transversely to the line of feed, and co-operate with the external guide to position the shoe properly with relation to the trimming-knife, and yielding means arranged to hold said guides continuously in engagement with the shoe and permit a relative movement of said guides towards and from each other.

[NOTE.—Here follow nine other claims.]

(Specification, 10s. ; drawing, 2s.)

No. 23875.—31st December, 1907.—FREDERICK WILLIAM CULLIMORE, of High Street, Christchurch, New Zealand, Billiardist. Improved billiard-table.*

Extract from Specification.—The ends of the tables, instead of being at right angles to the sides as hitherto, are each constructed approximately to the shape of one-half of a hexagonal figure. The main sides are constructed in two parts inclined at an angle, so that the entire table has ten sides and cushions. The pockets, of which there are six, are located three upon each side of the table, at the junction of the cushions.

[NOTE.—The above extract from the specification is inserted in place of the claims.]

(Specification, 1s. 6d. ; drawing, 1s.)

No. 23911.—11th January, 1908.—ROBERT CAIRNS, of Auckland, New Zealand, Electrician. An improved interchangeable double-ended electrical plug.*

Extract from Specification.—The invention is produced by taking two short pieces of fusible wire, preferably two used metal ends of an ordinary electrical incandescent lamp from which the plaster or insulating-material and platinum has been cleared, and projecting the same through the plug constructed in the manner described.

[NOTE.—The above extract from the specification is inserted in place of the claims.]

(Specification, 3s. ; drawing, 1s.)

No. 23915.—15th January, 1908.—UNITED SHOE MACHINERY COMPANY, of Paterson, in the State of New Jersey, United States of America, a corporation duly organized under the laws of said State of New Jersey, carrying on business as Shoe-machinery Manufacturers, and having a place of business at 205 Lincoln Street, Boston, in the Commonwealth of Massachusetts, in said United States of America (assignees of James Cavanagh, jun., of Boston, in the County of Suffolk, Massachusetts aforesaid, Inventor). Improvements in or relating to lasting-machines.*

Claims.—(1.) In a lasting-machine, the combination with means for working an upper over a last, of means, including a movable carrier, for supplying fastening-material in position to be inserted to secure the upper in overworked position, means for causing the insertion of the fastening-material, and means for suspending the operation of said carrier while the overworking-means continues in operation. (2.) In a lasting-machine, the combination with means for working an upper over a last, of means, including a tack-carrier, for supplying tacks in position to be driven to secure the upper in overworked position, a driver, and means for suspending the operation of the tack-carrier while the overworking-means continues in operation. (3.) In a lasting-machine, the combination with grippers and means for actuating the grippers to work an upper over a last, of means for supplying tacks, a driver, and means for simultaneously rendering the tack-supplying means and the driver inoperative while the grippers continue in operation for working the upper over the last. (4.) In a lasting-machine, the combination with grippers and means for actuating the grippers to work an upper over a last, of means for supplying tacks, a driver, and means independent of the work for simultaneously rendering the tack-supplying means and the driver inoperative while the grippers continue in operation.

[NOTE.—Here follow thirty-five other claims.]

(Specification, £1 15s. ; drawing, 5s.)

No. 23923.—20th January, 1908.—JULIAN ANDERSON, of Island Bay, Wellington, in the Dominion of New Zealand, Builder; ROBERT HENRY FREE, of Hargreaves Street, Wellington aforesaid, Carpenter; and WILLIAM HENRY HAMPTON, of Island Bay aforesaid, Carpenter. An improved tool for cramping boards and suchlike purposes.*

Extract from Specification.—The tool consists of a shaft provided with a foot and a cutter. The foot bears upon the edge of the board, and the cutter is driven into a stud or joist for retaining the board after being driven home by the foot.

[NOTE.—The above extract from the specification is inserted in place of the claims.]

(Specification, 1s. 6d. ; drawing, 1s.)

No. 23926.—21st January, 1908.—DHALSE GARNER-JONES, of Auckland, New Zealand, Schoolmaster. An improved construction of folding chair.*

Claim.—In folding chairs of the class described, forming the chair with its two sides each composed of two members diagonally crossing each other and connected together at points above and below the crossing-point by stay-bars extending between them and pivotally attached thereto, substantially as specified.

(Specification, 2s. ; drawing, 1s.)

No. 23946.—29th January, 1908.—JESSE JOB WILTON, of Tanglewood, Masterton, New Zealand, Farmer. Improved means for use in attaching the wearing-strips to vehicle and other brake-blocks.*

Claims.—(1.) Means for the purpose indicated, comprising a pair of plates adapted to fit one upon each end of the brake-block and having edges projecting beyond the rear edges of such block, and a bolt passing down through the block and through both plates, substantially as specified. (2.) The improved means for use in attaching wearing-strips to vehicle and other brake-blocks, substantially as described and explained, and as illustrated in the drawings.

(Specification, 2s. 6d. ; drawing, 1s.)

No. 23986.—5th February, 1908.—WILLIAM JOSEPH ROEBUCK, Engineer, and JOHN DERWENT TEILE PAULIN, Slater, of Imperial Buildings, corner of High and Dowling Streets, Dunedin, New Zealand. An improved adjustable platform bracket for ladders.*

Claims.—(1.) A bracket for the purpose indicated, having pivoted extendible members. (2.) A bracket for the purpose indicated, pivoted movable members, guides attached to or integral with the said members, extension pieces and tongues formed thereon. (3.) The general arrangement, construction, and combination of parts comprising my improved adjustable platform bracket for ladders, as described and for the purpose set forth, and as illustrated.

(Specification, 1s. 6d. ; drawing, 1s.)

No. 23989.—10th February, 1908.—MALACHI GRIBBLE, of Wellington, New Zealand, Timber-yard Foreman. Improved means for locking window-sashes and for preventing the rattling thereof.*

Claim.—(1.) In means for the purposes indicated, a cylinder adapted to be screwed within a window-sash frame so as to extend transversely through it, and a thumb-screw threaded through such cylinder and provided with a loose button upon its outer end adapted to engage against the surface of the other sash-frame, substantially as specified.

[NOTE.—Here follow two other claims.]

(Specification, 3s. ; drawing, 1s.)

No. 24034.—21st February, 1908.—JOHN BLAKE, of Otaheho, Taranaki, New Zealand, Farmer. Improvements in the teat-cups of milking-machines.*

Claims.—(1.) In a teat-cup of the class described, the employment of a cap having an elliptical opening for admission of a teat, substantially as set forth. (2.) In a teat-cup of the class described, the employment of a cap having an elliptical opening for admission of a teat, the longer diameter of the opening terminating in comparatively sharp points, substantially as set forth. (3.) In a teat-cup of the class described, the combination with an inner flexible tube having thickened sides and an oval opening, of a cap having an elliptical opening for admission of a teat, the longer diameter of said opening being set transversely to the longer diameter of the opening of the flexible tube, substantially as set forth. (4.) In a teat-cup, a cap having an opening whereby air is allowed to pass into the cup after the pressure upon the teat has ceased, substantially as set forth. (5.) In a teat-cup, a flexible tube having a flat bottom and an integrally formed sleeve extending beyond the said bottom and adapted to be turned over the outer case, substantially as set forth.

(Specification, 3s. ; drawing, 1s.)

No. 24779.—7th August, 1908.—THOMAS WILLIAM MAYSON, Draughtsman, and JOHN EDGAR, Dyer, of 117 Karangahape Road, Auckland, New Zealand. Improvements in life-saving catchers for tram-cars, motor-cars, and like vehicles.*

Extract from Specification.—The invention consists in providing an extendible frame operated by two or more lazy tongs actuated by spiral springs which are brought into action by the agency of a ratchet-and-pawl connection, the whole of which is attached to the under-side of the front of the car fitted with it. The particulars of the attachment and its parts are given.

[NOTE.—The above extract from the specification is inserted in place of the claims.]

(Specification, 4s. ; drawing, 1s.)

No. 25007.—2nd October, 1908.—LAMB AND TODD, LIMITED, of 27A Victoria Street, Wellington, New Zealand, Manufacturers' Agents and Merchants (assignees of Thomas Henry White). Improvements in apparatus for displaying and storing curtains and other fabrics or articles.

Claims.—(1.) In apparatus of the class described, the employment of wooden cross-bars whereon are carried trolleys supporting curtains or the like. (2.) In apparatus of the class described, a trolley comprising a stretcher-bar, brackets having pegs fitting into holes in the stretcher-bar,

friction-rollers mounted in the brackets, and hooks upon the brackets carrying a rod to which a curtain is attached, substantially as set forth.

[NOTE.—Here follow eight other claims.]

(Specification, 4s. ; drawing, 3s.)

No. 25105.—21st October, 1908.—JULIAN DE IRABIEN, of No. 745 Calle Tucuman, Buenos Aires, Argentine Republic, South America, Merchant. A turbine operated by air-currents.

Claim.—An air-motor, the essential feature of which consists in its being made in the shape of a turbine and operated by air-currents in any direction, said motor comprising substantially a circle formed by a plurality of paddles or blades of curved or straight section, and of any convenient height, so arranged that they will cause the air-currents to enter tangentially in order that these latter will bring about the rotation of an inner cylindrical body concentric with the outer part, and formed by a circle consisting of a plurality of blades or paddles of straight or curved section and arranged in a radial or inclined position, which circle rotates supported by a vertical axle provided at its turn with bevel gears or pulleys which transmit the movement to any convenient mechanical combination adapted to transmit the motive power, substantially as described and set forth, with reference to the drawings, and for the purpose indicated.

(Specification, 3s. ; drawing, 2s.)

No. 25110.—20th October, 1908.—HENRY SIMON, LIMITED, of 20 Mount Street, Manchester, England, Engineers (assignees of Lucien Marcel Thomas, of Alter Weinmarkt, Strassburg, Germany, Chemist). Improvements in the art of milling and conditioning flour from wheat.

Extract from Specification.—The invention consists in passing the fully milled flour through an apparatus in which it is agitated and in its passage subjected to the action of a current of moistened air or other suitable moistened gas, the rate of delivery of which, and the humidity of which relatively to the moisture in the flour, are such that the proportion of water in the flour is, on simply passing through the apparatus, increased by 0.1 per cent. or more, according to requirements. The proportion of water in the treated flour must not be in excess of that compatible with good merchantable flour.

[NOTE.—The above extract from the specification is inserted in place of the claims.]

(Specification, 5s.)

No. 25148.—29th October, 1908.—IGNACY MOSCICKI, of Gambach, near Freiburg, Switzerland, Electrician. Improvements in the production of oxides of nitrogen by the electric process.

Claims.—(1.) In the production of oxides of nitrogen by means of the rotary flame with apparatus in which a metallic body forming a part of the one electrode or metallically connected therewith is arranged opposite and near the end of the other electrode, preventing recurring short-circuiting of the flame in the shortest path between the electrodes, and consequently insuring an increase of the effective potential in the flame, by conducting gases or vapours not intended at the time for reaction in the flame on to that side of the flame on which the reaction gases are situated after passing through the flame, and thereby increasing the resistance of the central part of the space between the two electrodes.

[NOTE.—Here follows one other claim.]

(Specification, 5s. ; drawing, 1s.)

No. 25149.—29th October, 1908.—JUSTIN KAY TOLES, of Yosemite Club, 245 North San Joaquin Street, Stockton, California, United States of America, Manufacturer. Fibre-cleaning apparatus.

Extract from Specification.—Some of the features of this invention distinguishing it from the prior art, are: teeth or fingers on the moving member which are in alignment with teeth on the stationary member, said teeth not overlapping each other; a slatted or perforated casing surrounding or partially surrounding the moving member; doors or dampers

to control the admission of air through the casing just mentioned; and shields on the rotary member: for the purpose described.

[NOTE.—The above extract from the specification is inserted in place of the claims.]

(Specification, 6s. 6d.; drawing, 2s.)

No. 25150.—29th October, 1908.—JUSTIN KAY TOLES, of Yosemite Club, 245 North San Joaquin Street, Stockton, California, United States of America, Manufacturer. Fibre conveying and reversing apparatus.

Extract from Specification.—This invention consists substantially of devices for gripping and feeding fibre, a conveyor to deliver fibre to said devices, a conveyor to receive fibre from said devices, and means to guide the fibre from the first conveyor to the gripping-devices and also to transfer the free end of the fibre, in a reversed position, to the second conveyor; together with the mechanism necessary to actuate the foregoing

[NOTE.—The above extract from the specification is inserted in place of the claims.]

(Specification, 7s. 6d.; drawing, 2s.)

No. 25154.—27th October, 1908.—MARSHALL TILLIE, of Foyle Factory, Londonderry, Ireland, Shirt-manufacturer. An improved guide or attachment for use in connection with button-hole machines.

Claims.—(1.) An attachment for button-hole sewing machines whereby the article in which the button-hole is to be sewn can be easily guided to and held in the correct position for the operations of cutting and sewing the button-hole, the use of the attachment rendering the usual marking-off of the position of the button-hole unnecessary, and thereby largely increasing the output of the machine, substantially as described. (2.) An attachment such as claimed in claim 1, comprising a gauge-plate (*a*) or two gauge-plates (*a* and *b*), substantially as described, and shown on the drawings.

(Specification, 4s.; drawing, 1s.)

No. 25157.—27th October, 1908.—ERNEST MOSS, Mechanic, and EDWARD FEATHERSTONHAUGH DOMBRAIN, Insurance Agent, both of Christchurch, New Zealand. Improved means for ascertaining the heat and moisture in packed or baled goods and for other analogous purposes.

Claim.—(1.) In means for use in ascertaining moisture in baled goods, a metallic base plate adapted to be connected with one pole of an electric circuit, a strip of hygroscopic material extending above such plate, and a spring plate adapted to be connected with the other pole of the electric circuit, overlying and bearing upon the hygroscopic material, and formed with a projection thereon passing down through an aperture in such material, substantially as specified.

[NOTE.—Here follow four other claims.]

(Specification, 4s.; drawings, 1s.)

No. 25169.—3rd November, 1908.—CHARLES HENRY WOODHEAD, of Auckland, New Zealand, Sign-manufacturer. Improvements in display or luminous signs.

Claims.—(1.) Display or luminous signs constructed with characters composed of material having minute apertures extending through it, and with the forward end of each aperture formed with a concave mouth, substantially as and for the purposes specified. (2.) Display or luminous signs constructed with characters composed of material formed in the manner described in claim 1, and secured to glass or other transparent backing, substantially as specified.

(Specification, 1s. 6d.)

No. 25170.—4th November, 1908.—CHARLES BURTON WHITNEY, of 20 Holmfield Avenue, Hyde Park, Massachusetts, United States of America, General Manager. Improvements in faucets.

Claim.—(1.) A faucet comprising in its construction a casing provided with an inlet-chamber and an outlet-chamber, there being an inlet-passage connecting with said outlet-chamber, a valve-seat located in said casing between said

inlet and outlet chambers, a valve adapted to be pressed against said seat by the pressure of the water, and a differential plunger adapted to slide in said inlet-passage and bearing against said valve, said plunger having sliding contact with the walls of said inlet-passage.

[NOTE.—Here follow fourteen other claims.]

(Specification, 12s. 6d.; drawings, 2s.)

No. 25174.—4th November, 1908.—ANNE OF LOWENSTEIN WERTHELM, of 8 Upper Belgrave Street, London, England, a Princess of the German Empire. Improvements in self-levelling cots, bunks, couches, and the like, for use on ship-board.

Claim.—(1.) Improvements in self-levelling cots, bunks, couches, and the like, for use on ship-board, consisting in mounting the cot or the like upon frames supported upon a ball-and-socket connection, securing to the said frames, or one of them, gyroscopes upon the spindles of which are mounted friction wheels or discs, and further providing a rotatable friction-disc at right angles thereto, operated by means of electric or other motive power, for rotating the gyroscopes, with means whereby a brake may be applied to one or more of the said gyroscopes, substantially as described, and shown with reference to figs. 1 and 2 of the drawings, and for the purposes specified.

[NOTE.—Here follow four other claims.]

(Specification, 4s.; drawing, 3s.)

No. 25175.—4th November, 1908.—JOHN FOSTER STEPHENSON, of Haines Street, Glenferrie, Victoria, Australia, Engineer. Improved method of and means for attaching ornamental metal mounts to bedstead-posts.

Claim.—(1.) In metal mounts for bedstead-posts, the method of placing a mount as *h* in position between two bulging portions, consisting in cutting the mount for its full depth to enable it to be dilated sufficiently to receive the bedstead-post and be closed again to its original contour or shape, substantially as and for the purposes set forth.

[NOTE.—Here follow two other claims.]

(Specification, 2s. 6d.; drawing, 1s.)

No. 25176.—4th November, 1908.—EDWARD TEMPLE, of 63 Pitt Street, Sydney, New South Wales, Australia, Engineer. Improvements in and relating to gas generating and purifying apparatus.

Claims.—(1.) In gas generating and purifying apparatus, a vessel wherein in one compartment the gas is drawn under water by buckets and allowed to pass up through water to a second compartment, substantially as and for the purposes set forth. (2.) In gas generating and purifying apparatus, a vessel partly filled with water and having two compartments communicating at the bottom, in one of which is an arrangement of chains and buckets for carrying gas beneath the water, and in the other of which coke, pebbles, or the like are placed, through which water will pass upward, and means for directing the gas from the buckets to the second compartment, substantially as described.

[NOTE.—Here follow seven other claims.]

(Specification, 6s.; drawing, 4s.)

No. 25177.—4th November, 1908.—ROBERT ANDREW WIGGINS, of 130 Hereford Street, Christchurch, New Zealand, Engineer. Improvements in mechanism of milking-machines.

Extract from Specification.—According hereto, air-pressure and a vacuum are alternately applied to teat-cups, thereby imparting pulsations to the teats, the air-pressure being reduced to atmospheric pressure before the vacuum is applied, and the vacuum destroyed before the air-pressure is applied at each pulsation. A saving of energy results owing to the air-pressure and vacuum being applied in each case when the air in the teat-cups is at atmospheric pressure. This object of the invention is effected by allowing the air to snift at each pulsation, and thereby break down the air-pressure or the vacuum. A further feature of the invention is to apply by means of a single pipe air-pressure to the upper part of the teat-cup earlier than to the lower part thereof.

[NOTE.—The above extract from the specification is inserted in place of the claims.]

(Specification, 6s. 6d.; drawing, 2s.)

No. 25178.—4th November, 1908.—EDWIN PHILLIPS, of 533 Collins Street, Melbourne, Victoria, Australia, Patent Attorney and Engineer (nominee of the National Wire-bound Box Company, a corporation organized under the laws of the State of Indiana, with office at South Bend, Indiana, United States of America, Manufacturers, the assignees of Richard Greene Inwood and Chester Calvin Chapman, both of South Bend, Indiana aforesaid, Machinists). Machine for making wire-bound box blanks.

Claim.—(1.) A machine for making wire-bound box blanks by stapling together sheets, cleats, and binding-wires, characterized by feed mechanism for advancing the blank-material across the stapling mechanism by intermittently thrusting the binding-wires.

[NOTE.—Here follow seven other claims.]

(Specification, 15s. 6d. ; drawing, 6s.)

No. 25180.—4th November, 1908.—ALEXANDER JOHN ARBUCKLE, of 1 Main Street, Belgravia, near Johannesburg, Transvaal, Mechanical Engineer, and ALFRED OSBORNE, of 1 Main Street, Belgravia aforesaid, Mine-manager. Improvements in filtering-apparatus.

Claim.—(1.) In filtering-apparatus of the nature indicated, the combination with the revoluble end frames of a plurality of oscillatory filter-frames suspended between said end frames, substantially as described.

[NOTE.—Here follow nine other claims.]

(Specification, 17s. 6d. ; drawing, 2s.)

No. 25191.—5th November, 1908.—THOMAS KEMP WALTON, of Waiuku, Auckland, New Zealand, Gentleman. An improved method of preparing fresh milk for freezing purposes.

Claims.—(1.) The method specified of passing fresh milk by pressure through nozzles or jets having narrow-spaced or very fine openings, either with or without meshed coverings, and projecting the milk therefrom, and throwing or impinging the milk against fine wire mesh or fine sharpened edges of metal, flint, stone, or hard wood, and then rapidly freezing the milk thus broken up, for the purpose set forth, as described. (2.) The application and arrangement of the means specified, and the combination in working the same in the manner and for the purpose set forth, as described.

(Specification, 2s.)

No. 25196.—11th November, 1908.—CARL KARUTZ, of Helmstedt, 1-2 Neumarkerstr., Brunswick, Germany. Device for the closing and carrying of filled bags.

Claim.—Device for the closing of bags and sacks by means of coiling up the projecting part of the bag around a metal ribbon or rod, the ends of which are bent around with part of the coiled material, and characterized by a locking-device for connecting the two ends of the ribbon to each other, comprising a strip (a) of sheet metal, to be secured to the margin of the mouth of the bag, the adjoining ends of which constituting a locking-device, consisting of a slot (b) of a special triangular shape at one end of the strip, and a corresponding tongue (c) at the opposite end thereof.

(Specification, 2s. ; drawing, 1s.)

No. 25197.—11th November, 1908.—FREDERICK LAMFLOUGH, of Cumberland Park, Willesden, Middlesex, England, Engineer; LOUIS FRANÇOIS MARIE DE PEYRECAVE, Managing Director; and THOMAS EVANS AND SON (POPLAR), LIMITED, of 32 North Street, Poplar, London E., England, Engineers. Improvements in rotary motors, pumps, and the like.

Extract from Specification.—The invention consists in a rotary motor or pump, comprising a casing and a cross-piece rotating in the casing, with an oscillating-piece oscillating about a point fixed relatively to said cross-piece, the oscillation being produced as the cross-piece rotates by a link between

the oscillating-piece and a pin fixed eccentrically on the casing. The invention further consists in mounting the link connecting the oscillating-piece to the eccentrically fixed pin inside the said oscillating-piece.

[NOTE.—The above extract from the specification is inserted in place of the claims.]

(Specification, 5s. ; drawing, 2s.)

No. 25209.—12th November, 1908.—HORACE STANLEY MARKS, of 398 Albert Street, East Melbourne, Victoria, Australia, Grazier. An improved safety combination machine for cutting chaff, roots, and other substances.

Claim.—(2.) In a machine for cutting chaff, roots, and other substances, a vertical hopper feeding by gravity to a pair of feed-rollers superimposed upon a horizontally rotating set of knives, substantially as and for the purposes specified, and as illustrated in the drawings.

[NOTE.—Here follow seven other claims.]

(Specification, 5s. ; drawing, 1s.)

No. 25212.—12th November, 1908.—JULIA ROSS, of Waverley, Taranaki, New Zealand, Married Woman. Improvements in or relating to means for transferring clothes from washing-boilers to other receptacles.

Claims.—(1.) In means for transferring clothes from washing-boilers, a network receptacle adapted to fit within the boiler, and composed of two semi-cylindrical halves arranged with their flat edges together and with the adjacent portions of their top members hinged to each other, substantially as and for the purposes specified. (2.) Means for use in transferring clothes from washing-boilers, the same consisting of a receptacle for holding the clothes, constructed, arranged, and operating substantially as described and explained, and as illustrated in the drawings.

(Specification, 2s. 6d. ; drawing, 1s.)

No. 25216.—12th November, 1908.—ROBERT SHARP BARCLAY LOW, of 91 Cuba Street, Wellington, New Zealand, Shop-front Builder. An improved glazing-bar for shop-fronts and the like.

Claims.—(1.) A glazing-bar comprising an inner bar fixed at both ends to a framing, rubber tubing cemented in grooves in the said bar, an outer bar rebated to receive the edges of sheets of glass, and screws drawing and attaching the outer bar to the inner bar and pressing the glass against the rubber tubing, substantially as set forth. (2.) In a glazing-bar of the kind claimed in claim 1, the employment of a brass tubing cut through longitudinally upon one side, and passed endways upon the outer bar, substantially as set forth. (3.) The combination and arrangement of parts comprising the improved glazing-bar, substantially as and for the purposes set forth, and illustrated in the drawing.

(Specification, 2s. ; drawing, 1s.)

No. 25221.—6th November, 1908.—CHARLES SPURGEON BEILBY, of Murchison, New Zealand, Mining Engineer. Improvement in preventing racing of marine propellers.

Extract from Specification.—I furnish a tube, preferably upright, placing same as near the propeller as convenient, said tube open at lower end to the outside water, below its level. A float carrying an adjustable rod works longitudinally in this tube in such a manner that connection is made with the controlling portion of the apparatus so as to close the steam from the engines when the water is sufficiently withdrawn from the tube, which means that the propeller's work is lightened, and so prevent any racing, not check it after its increase.

[NOTE.—The above extract from the specification is inserted in place of the claims.]

(Specification, 3s. ; drawing, 1s.)

No. 25227.—18th November, 1908.—KARL HEINRICH WIMMER, of Holzhafen, Bremen, Germany, Manufacturer. Process for preparing coffee free from caffeine.

Claim.—(1.) The process for obtaining coffee-beans free from caffeine, which consists in treating the green coffee-beans with moist heat until the external layer down to the dark central line existing in green coffee-beans has assumed a dark colour, then subjecting the beans to extraction with solvents for caffeine, and finally treating them with steam and drying them, substantially as described.

[NOTE.—Here follow four other claims.]

(Specification, 4s.)

An asterisk (*) denotes the complete specification of an invention for which a provisional specification has been already lodged.

[NOTE.—The cost of copying the specification and drawing has been inserted after the notice of each application. An order for a copy or copies should be accompanied by a post-office order or postal note for the cost of copying.]

[The date of acceptance of each application is given after the number.]

Extracts from the drawings accompanying the foregoing complete specifications appear at the end of this *Gazette*.

J. C. LEWIS,
Registrar.

Provisional Specifications accepted.

Patent Office,
Wellington, 23rd December, 1908.

APPLICATIONS for Letters Patent, with provisional specifications, have been accepted as under:—

- No. 24114.—R. A. Fonseca, window-sash.
- No. 24575.—V. G. Oldham, bee-hive.
- No. 24967.—A. H. Wright, advertising-device.
- No. 25186.—R. N. Adams, window-fastener.
- No. 25241.—J. G. Bentley, window-lock.
- No. 25262.—F. H. Jackson, scythe-handle grip.
- No. 25265.—O., J. H., and J. Laut, and T. Mitchell, folding candlestick.
- No. 25275.—R. N. Adams, holding doors open.
- No. 25276.—D. M. Brooks, compressing air by tide-action.
- No. 25278.—R. A. Fonseca, bicycle mud-guard.
- No. 25279.—W. J. F. Hayter, brick-manufacture.
- No. 25281.—H. D. Schmidt, artificial eye.
- No. 25282.—A. H. Wright and A. Thornton, camera-support.
- No. 25287.—W. Beamish, animal-trap.
- No. 25304.—E. T. Wood, draught, &c., excluder.
- No. 25305.—United Shoe Machinery Company, machine for skiving leather. (A. E. Jerram, A. Bates, and J. Gould-bourn.)
- No. 25317.—United Shoe Machinery Company, boot-machine. (F. E. Bertrand.)
- No. 25318.—United Shoe Machinery Company, heel-finish machine. (A. Bates.)
- No. 25320.—P. J. Lewis, wire-strainer.

[NOTE.—Provisional specifications cannot be inspected, or their contents made known by this office in any way, until the complete specifications in connection therewith have been accepted.]

Letters Patent sealed.

LIST of Letters Patent sealed from the 4th to the 16th December, 1908, inclusive:—

- No. 22334.—T. R. Hogg, plough-attachment.
- No. 23027.—T. Parker, fuel.
- No. 23066.—H. Frew, bird-trap.
- No. 23110.—T. West, estimating-instrument.
- No. 23225.—P. Bock, supporting cartons, &c.
- No. 23273.—G. E. Forward and W. J. Bird, apparatus for teaching the use of the rifle.
- No. 23345.—United Shoe Machinery Company, sole-leveling machine. (A. Eppler.)
- No. 23346.—United Shoe Machinery Company, welt-preparing machine. (A. Eppler.)
- No. 23413.—F. A. Alcock, billiard-cushion rail.
- No. 23455.—T. R. Christie, hot-water cylinder.
- No. 23460.—C. G. Whitaker, egg-carrier.
- No. 23482.—J. H. Beamish, glass roofing.
- No. 23492.—United States Automatic Box Machinery Company, paper-box machine.
- No. 23566.—W. A. Cooke, sea-sickness remedy.
- No. 23656.—E. J. Gee, sun-blind.

B

No. 23881.—Houlder Brothers and Co., Limited, storing chilled meat, &c.

- No. 23897.—F. W. Payne, water-lift.
- No. 24013.—Auto-Hydraulic, Limited, water-elevator. (A. E. Hodder.)
- No. 24135.—T. L. Mullally, sack, stack, &c., cover.
- No. 24230.—W. H. Fletcher, ore-mill.
- No. 24302.—G. E. Ohm, ore-separation.
- No. 24351.—C. Harrison, manufacture of fertilisers, &c.
- No. 24386.—W. Snee, motor.
- No. 24413.—C. W. Nance, tanning.
- No. 24553.—C. G. C. Whyte and A. Rau, manifold copying-book.
- No. 24555.—S. F. Crooker, rifle-carrying attachment.
- No. 24563.—H. Cockerill, draught-preventer for doors.
- No. 24599.—C. N. Chandler and G. Dow, smoke-consumer.
- No. 24636.—J. Blau, scent, &c., spray.
- No. 24693.—J. Fenton, drying clothes.
- No. 24765.—F. Hursthouse, lamp-extinguisher.
- No. 24777.—F. Basham, roadway.
- No. 24823.—E. S. Baldwin, wheel. (W. T. Smith.)

Letters Patent on which Fees have been paid.

[NOTE.—The dates are those of the payments.]

SECOND-TERM FEES.

- No. 18861.—The Lamp Manufacturing Company, Limited, signal oil-lamp, &c. (W. H. J. Welch.) 12th December, 1908.
- No. 18916.—The Grondal Kjellin Company, Limited, magnetic ore-separator. (G. Grondal.) 15th December, 1908.
- No. 18917.—C. Suttie and M. H. Wynyard, flax-treatment. 16th December, 1908.
- No. 18925.—United Shoe Machinery Company, eyelet, &c., deliverer. (M. H. Pearson and A. E. Jerram.) 16th December, 1908.
- No. 18926.—United Shoe Machinery Company, fastening-machine. (F. H. Perry.) 16th December, 1908.
- No. 19050.—United Shoe Machinery Company, paste-presenting machine. (O. Ashton.) 16th December, 1908.
- No. 19051.—United Shoe Machinery Company, trimming-machine. (O. Ashton.) 16th December, 1908.

THIRD-TERM FEES.

- No. 14358.—Svenska Centrifug Aktiebolaget, centrifugal churn. (C. F. Berghmark.) 9th December, 1908.
- No. 14547.—United Shoe Machinery Company, lasting-machine. (R. F. McFeeley.) 16th December, 1908.
- No. 14548.—United Shoe Machinery Company, lasting-machine. (E. A. Stiggins.) 16th December, 1908.

Subsequent Proprietors, &c., of Letters Patent registered.

[NOTE.—The name of the patentee is given in brackets; the date is that of registration.]

- Nos. 21841, 22114, 22907.—The New Zealand Hemp Process By-products Company, Limited, a private company incorporated under "The Companies Act, 1908," and having its registered office in Emerson Street, Napier, New Zealand, registered as proprietor. [W. G. Richardson.] 18th December, 1908.
- No. 21707.—The Parker Patent Stamp and Ticket Vending Machine Company, Limited, of Palmerston North, New Zealand. An improved machine for vending postage-stamps and the like. [A. Parker.] 10th December, 1908.
- No. 22181.—The Parker Patent Stamp and Ticket Vending Machine Company, Limited, of Palmerston North, New Zealand. An improved machine for issuing tickets. [A. Parker.] 10th December, 1908.
- No. 23668.—William Cyril Higinbotham, of Armidale, New South Wales, Australia, Grazier. [C. Gerber and E. Michaut.] 17th December, 1908.

Applications for Letters Patent abandoned.

LIST of applications, with which provisional specifications only have been filed, abandoned (i.e., complete specifications not lodged) from the 8th to the 21st December, 1908, inclusive:—

- No. 23821.—F. Delsie, bicycle.
- No. 23987.—K. Young, fire-alarm and check.
- No. 23992.—P. Pearce, shoe used in tree-felling.
- No. 23994.—W. C. Watson, H. Bolton, and D. Mulcahy, railway lever brake.
- No. 23996.—H. E. Lindsay, correspondence-arranger.

- No. 23998.—R. A. Walker, cultivating implement for carriage.
 No. 24000.—A. Ashcroft, treating kauri-gum.
 No. 24001.—H. W. Sherlock, boot-last.
 No. 24002.—W. J. Le Cren and J. B. Laurenson, snow-board.
 No. 24006.—A. J. Hoban, vehicle-brake.
 No. 24008.—D. M. Wallace, swingletree-end.
 No. 24009.—G. Hutchinson, seed-sower.
 No. 24010.—W. Beamish, animal-trap.
 No. 24017.—H. A. Fry, acetylene-generator.
 No. 24018.—A. N. E. Burton, bread-manufacture.
 No. 24019.—W. H. Duncan, water-heater.
 No. 24023.—J. E. Friend, turbine.
 No. 24026.—C. F. Gardner, oil, &c., tank filler.
 No. 24027.—A. J. Madden, applying pressure to liquids.
 No. 24031.—W. Tyree, pest-destroyer.

Applications for Letters Patent void.

APPLICATIONS for Letters Patent, with which complete specifications have been lodged, void owing to non-acceptance of such complete specifications, from the 8th to the 21st December, 1908, inclusive:—
 No. 23326.—J. Johnson, extension-boot.
 No. 23364.—L. H. Rogers and A. Myers, puncture-sealing composition.
 No. 23406.—J. C. Drewet, hydro-extractor.
 No. 23437.—A. H. and D. J. Byron and T. M. Scott, carding-apparatus.

Applications for Letters Patent lapsed.

APPLICATIONS for Letters Patent lapsed, owing to Letters Patent not being sealed, from the 8th to the 21st December, 1908, inclusive:—
 No. 22710.—J. G. Hudson, railway signalling.
 No. 22983.—F. Hutton, knife-cleaner.
 No. 22990.—G. G. Holmes, securing ends of fencing-wire.
 No. 22992.—G. J. Clegg, saddle-cover.
 No. 23004.—B. Locking, gas-generator.
 No. 23018.—A. P. F. and G. D. Watson, boot-scrapers.
 No. 23019.—A. P. F. and G. D. Watson, gravel-screen.
 No. 23030.—A. Storrie, seed-sower.

Notice of Request to amend Specification.

Patent Office,

Wellington, 11th December, 1908.

A REQUEST for leave to amend the specification and drawings relating to the undermentioned application for Letters Patent has been received, and is open to public inspection at this office. Any person may at any time from one month from the date of this *Gazette* give me notice in writing of opposition to the amendment. Such notice must set forth the particular grounds of objection, and be in duplicate. A fee of 10s. is payable thereon.

No. 23556.—Louis Alfred Hume Longuet, of Epsom, near the City of Auckland and Dominion of New Zealand, Produce Broker. An improved trousers-stretcher. (Advertised in Supplement to *New Zealand Gazette*, No. 98, of 14th November, 1907.)

The nature of the proposed amendment is as follows:—

To insert in the application, authorisation, and specification, after the name, address, and occupation of the aforementioned Louis Alfred Hume Longuet, the name, address, and occupation of "John Henry Hopkins, of Auckland aforesaid, Produce Broker."

The applicants state:—

"The reason for amendment is so as to include the name of John Henry Hopkins in the Letters Patent to be granted, as the said John Henry Hopkins has an interest in the Letters Patent, and is in partnership with the said Louis Alfred Hume Longuet. At the time of application Mr. Hopkins's name was overlooked."

J. C. LEWIS,
Registrar.

Letters Patent void.

LIST of Letters Patent void through non-payment of renewal fees, and through expiry of term of fourteen years, from the 8th to the 21st December, 1908, inclusive:—

THROUGH NON-PAYMENT OF SECOND-TERM FEES.

- No. 18430.—J. Taylor, washboard.
 No. 18441.—A. O. and W. J. Grundy, clinch.
 No. 18450.—M. Torrente, separating solids from liquid.

- No. 18451.—O. T. Madeley, fruit-gatherer.
 No. 18456.—Christchurch Meat Company, Limited, securing covers of tins. (G. Anderson.)
 No. 18458.—F. Theobald, shaft-tug.
 No. 18462.—F. J. Shelton, acetylene-generator.
 No. 18465.—A. G. Land, vehicle-seat.
 No. 18467.—L. Bender, butter-cutter.
 No. 18490.—J. H. A. McPhee, ore-reducing apparatus.
 No. 20036.—J. R. Hatmaker, milk food.
 No. 20037.—J. R. Hatmaker, milk food.

THROUGH NON-PAYMENT OF THIRD-TERM FEES.

- No. 13992.—General Cement Company, Limited, cement. (H. Passow.)
 No. 14010.—R. Keyte, fire-escape.
 No. 14011.—The Crown Cork Company, Limited, closures for bottles. (R. L. Patterson.)
 No. 14034.—H. Cameron, J. Galt, and J. Taylor, flax-scuteher. (J. Taylor and A. Reeves.)

THROUGH EXPIRY OF TERM.

- No. 7326.—The New Calyx Drill and Boring Company, Limited, core-boring apparatus. (F. H. Davis.)
 No. 7328.—H. L. Sulman and F. L. Teed, metal-extraction.
 No. 7343.—West's Patent Tire-setter Company, Limited, machine for setting tires. (J. B. West.)
 No. 7346.—Massey-Harris Company, Limited, cultivator. (P. and D. Duncan.)

Design expired.

THE copyright in the following design has expired:—

- No. 197.—The Brett Printing and Publishing Company, Limited, Auckland, New Zealand. (Letter-card.)

Applications for Registration of Trade Marks.

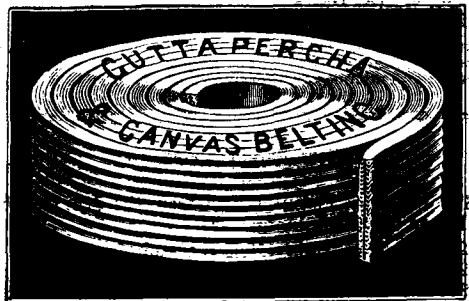
Patent Office,
Wellington, 23rd December, 1908.

APPLICATIONS for registration of the following Trade Marks have been received. Notice of opposition to the registration of any of these applications may be lodged at this office within two months of the date of this *Gazette*. Such notice must be in duplicate, and accompanied by a fee of £1.

No. of application: 7314.

Date: 11th May, 1908.

TRADE MARK.



The essential particular of this trade mark is the device; and any right to the exclusive use of the added matter is disclaimed.

The applicants claim that the said trade mark has been in use by them and their predecessors in business since 10th February, 1888.

NAME.

R. AND J. DICK, LIMITED, of Greenhead, in the County and City of Glasgow, Scotland, Manufacturers.

No. of class: 40.

Description of goods: Machinery-driving belts composed of balata and canvas.

No. of application : 7315.

Date : 11th May, 1908.

TRADE MARK.

(The mark as shown in preceding notice, No. 7314.)

The essential particular of this trade mark is the device; and any right to the exclusive use of the added matter is disclaimed.

The applicants claim that the said trade mark has been in use by them and their predecessors in business since 16th February, 1888.

NAME.

R. AND J. DICK, LIMITED, of Greenhead, in the County and City of Glasgow, Scotland, Manufacturers.

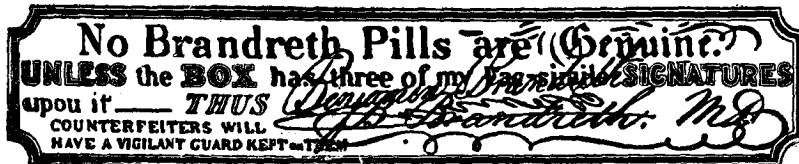
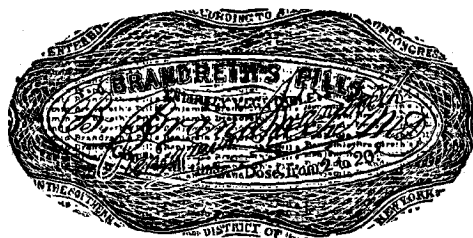
No. of class : 40.

Description of goods : Machinery-driving belts composed of guttapercha and canvas.

No. of application : 7461.

Date : 24th July, 1908.

TRADE MARK.



The essential particular of this trade mark is the distinctive label.

The applicants claim that the said trade mark has been used by them and their predecessors in business in respect of the articles mentioned since before 1876.

NAME.

ALLCOCK MANUFACTURING COMPANY, of 274 Canal Street, New York, United States of America, and 22 Hamilton Square, Birkenhead, in the County of Chester, England, Patent-medicine Vendors.

No. of class : 3.

Description of goods : Pills and boluses.

No. of application : 7462.

Date : 24th July, 1908.

TRADE MARK.

BRANDRETH'S PILLS.

The applicants claim that the said trade mark has been used by them and their predecessors in business in respect of the articles mentioned since before 1876.

NAME.

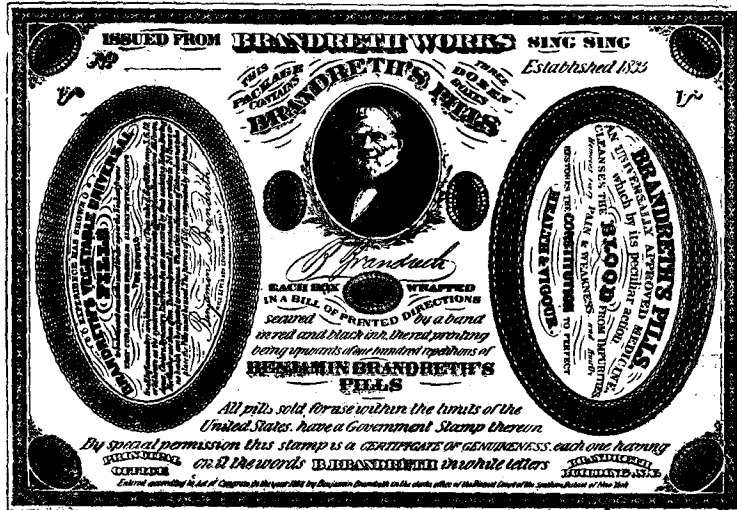
ALLCOCK MANUFACTURING COMPANY, of 274 Canal Street, New York, United States of America, and 22 Hamilton Square, Birkenhead, in the County of Chester, England, Patent-medicine Vendors.

No. of class : 3.

Description of goods : Pills and boluses.

No. of application : 7463.
Date : 24th July, 1908.

TRADE MARK.



NAME.

ALCOCK MANUFACTURING COMPANY, of 274 Canal Street, New York, United States of America, and 22 Hamilton Square, Birkenhead, in the County of Chester, England, Patent-medicine Vendors.

No. of class : 3.
Description of goods : Pills and bolu

No. of application : 7650.
Date : 4th November, 1908.

TRADE MARK.

The word
"ANTI-TRUST."

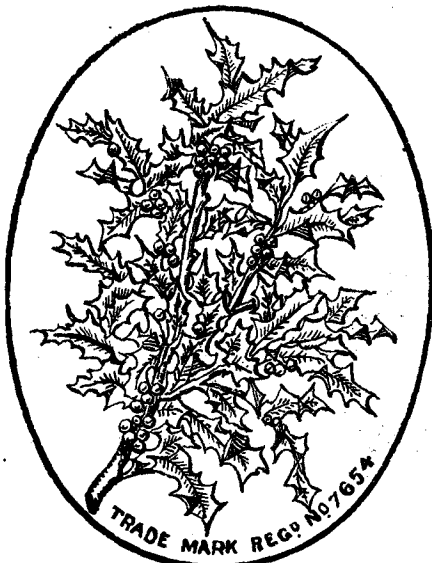
NAME.

COMMONWEALTH OIL CORPORATION, LIMITED, of Equitable Buildings, George Street, Sydney, in the State of New South Wales, Commonwealth of Australia.

No. of class : 18.
Description of goods : Stoves, heating and cooking apparatus.

No. of application : 7654.
Date : 4th November, 1908.

TRADE MARK.



The essential particular of this trade mark is the representation of a holly-bush; and any right to the exclusive use of the added matter is disclaimed.

NAME.

THE HOLLINS MILL COMPANY, Portland Street, Manchester, England.

No. of class : 24.
Description of goods : Cotton piece-goods of all kinds.

No. of application : 7659.
Date : 6th November, 1908.

TRADE MARK.



NAME.

R. MCKINLAY AND SONS, Hillside, Dunedin, in the Dominion of New Zealand, Boot-manufacturers.

No. of class : 38.
Description of goods : Boot and shoes.

No. of application : 7660.
Date : 6th November, 1908.

TRADE MARK.



NAME.

R. MCKINLAY AND SONS, Hillside, Dunedin, in the Dominion of New Zealand, Boot-manufacturers.

No. of class : 38.
Description of goods : Boots and shoes.

No. of application : 7661.
Date : 7th November, 1908.

TRADE MARK.

PEACOCKS



NAME.

IRVINE AND STEVENSON'S ST. GEORGE COMPANY, LIMITED, of Dunedin, in the Dominion of New Zealand.

No. of class : 42.
Description of goods : Substances used as food or as ingredients in food, except tea, poultry, eggs, and canned salmon.

No. of application : 7682.
Date : 18th November, 1908.

TRADE MARK.

ADVANCE AUSTRALIA



The essential particulars of this trade mark are the combination of devices, the written signature, and letters "A.N.A."; and any right to the exclusive use of the added matter is disclaimed.

NAME.

GEORGE WARD AND SAMUEL IGNATIUS WARD, trading in partnership at 36 Errol Street, North Melbourne, in the State of Victoria, Commonwealth of Australia, and 224 Chapel Street, Prahran, near Melbourne aforesaid, Sewing-machine vendors.

No. of class : 6.
Description of goods : Sewing-machines and parts thereof

No. of application : 7686.
Date : 19th November, 1908.

TRADE MARK.



The essential particular of this trade mark is a device composed of the figure of a horse bridled, rampant on a staging enclosed in a double-lined oval, together with the representation of a hammer and pincers within the oval near the top of the oval, and represented as affixed to the staging is a horseshoe and ring; and any right to the exclusive use of the words "Veterinary Preparations" is disclaimed.

NAME.

THOMAS WHITE YOUNG, of Wellington, in the Dominion of New Zealand, Merchant, carrying on business as "Young's Chemical Company."

No. of class : 2.
Description of goods : Veterinary preparations.

No. of application : 7687.

Date : 19th November, 1908.

TRADE MARK.

Thomas Whyte Young

NAME.

THOMAS WHYTE YOUNG, of Wellington, in the Dominion of New Zealand, Merchant, carrying on business as "Young's Chemical Company."

No. of class : 2.

Description of goods : Veterinary preparations.

No. of application : 7703.

Date : 18th December, 1908.

TRADE MARK.

Adams
LIMITED

NAME.

ADAMS LIMITED, of 138-140 High Street, Christchurch, New Zealand, Importers, Repairers, and Manufacturers of Motor-cars, Motor-cycles, and Cycles.

No. of class : 22.

Description of goods : Motor-cars, motor-cycles, and cycles.

No. of application : 7704.

Date : 18th December, 1908.

TRADE MARK.

(The mark as shown in preceding notice, No. 7703.)

NAME.

ADAMS LIMITED, of 138-140 High Street, Christchurch, New Zealand, Importers, Repairers, and Manufacturers of Motor-cars, Motor-cycles, and Cycles.

No. of class : 13.

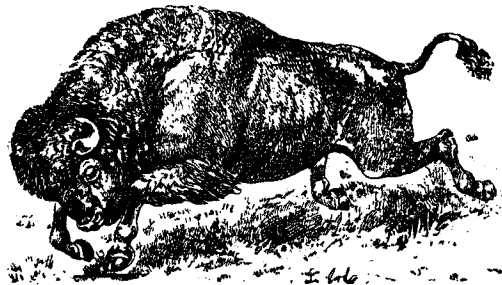
Description of goods : Motor-car, motor-cycle, and cycle lamps, pumps, and all accessories included in this class.

No. of application : 7708.

Date : 2nd December, 1908.

TRADE MARK.

HENRY BERRY & CO.



BUFFALO.

NAME.

HENRY BERRY AND CO., of 116 Lichfield Street, Christchurch, in the Dominion of New Zealand.

No. of class : 6.

Description of goods : Meat-cutting, mincing, filling machines, weighing-machines.

No. of application : 7717.

Date : 3rd December, 1908.

TRADE MARK.

KIA-ORA.

NAME.

MITTELDEUTSCHE GUMMIWARENFABRIK LOUIS PETER A. G., of Frankfurt-on-Main, in the Empire of Germany, trading in Australia as the "Peter Union Tyre Co.," at 235 Flinders Lane, Melbourne, in the State of Victoria, Commonwealth of Australia, Manufacturers.

No. of class : 40.

Description of goods : Rubber tires, air tubes, and covers of indiarubber for velocipedes, motor-cars, and road vehicles.

No. of application : 7721.
Date : 4th December, 1908.

TRADE MARK.



HINAKI

NAME.

HARRY RANISH, of Martinborough, in the Dominion of New Zealand, Sheep-farmer.

No. of class : 42.
Description of goods : Meat.

No. of application : 7722.
Date : 4th December, 1908.

TRADE MARK.

The word

“MOA.”

It is claimed that the said trade mark has been in use in respect of the undermentioned article for the past thirty years.

NAME.

GEORGE MOORE, of Eparaima, Masterton, in the Dominion of New Zealand.

No. of class : 4.
Description of goods : Wool.

No. of application : 7723.
Date : 9th December, 1908.

TRADE MARK.

The word

“ANTI-TRUST.”

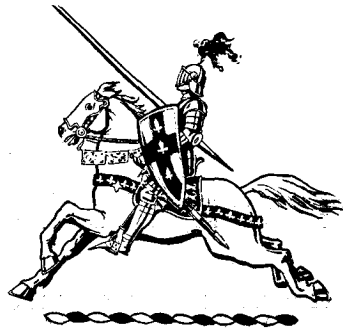
NAME.

COMMONWEALTH OIL CORPORATION, LIMITED, of Equitable Building, George Street, Sydney, in the State of New South Wales, Commonwealth of Australia.

No. of class : 13.
Description of goods : Lamps.

No. of application : 7724.
Date : 10th December, 1908.

TRADE MARK.



CHAMPION BRAND.

The essential particulars of this trade mark are a man in armour, seated on a caparisoned horse, and the word “Champion”; and any right to the exclusive use of the added matter is disclaimed.

NAME.

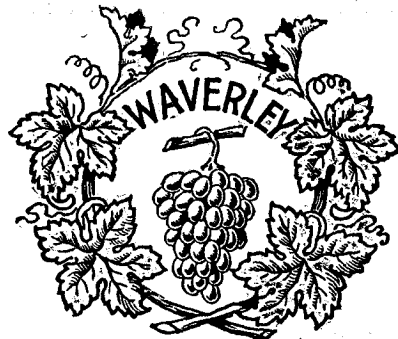
GOLLIN AND Co. PROPRIETARY, LIMITED, of 78 Jervois Quay, Wellington, in the Dominion of New Zealand, Merchants.

No. of class : 38.

Description of goods: Hats and caps, collars, shirts, and all other articles of clothing, with the exception of boots, shoes, and slippers.

No. of application : 7725.
Date : 10th December, 1908.

TRADE MARK.



The applicants claim that the said trade mark has been used by them in respect of the articles mentioned for about twenty years.

NAME.

E. C. MOULDEY AND SONS, of Worcester Street, Christchurch, in the Dominion of New Zealand, Wine-merchants.

No. of class : 43.
Description of goods : Fermented liquors and spirits.

No. of application : 7726.
Date : 15th December, 1908.

TRADE MARK.
BULL-DOG



NAME.

W. PARK AND Co., Clarrington Brook Forge, Wigan, in the County of Lancaster, England, Manufacturers.

No. of class : 13.

Description of goods : All goods included in Class 13.

NOTE.—Class 13 is for "Metal goods not included in other classes—such as anvils; keys; basins (metal); needles; hoes; shovels; corkscrews."

No. of application : 7727.
Date : 15th December, 1908.

The word TRADE MARK.

ZOTOS

NAME.

FRANK THOMAS EDWARD SOUTER, of 37 Egerton Crescent, Kensington, in the County of London, Kingdom of England, Stockbroker.

No. of class : 3.

Description of goods : Chemical substances prepared for use in medicine and pharmacy, specially those used for the prevention of sickness at sea, on trains, and the like.

No. of application : 7728.
Date : 15th December, 1908.

The word TRADE MARK.
"GOLDFIELDS."

NAME.

THE THAMES VALLEY CO-OPERATIVE DAIRYING Co., LIMITED, of Paeroa, Auckland, in the Dominion of New Zealand.

No. of class : 42.
Description of goods : Butter.

No. of application : 7729.
Date : 15th December, 1908.

The word TRADE MARK.
"ASTRA."

NAME.

FREDERICK DOBLE AND SONS, of 20 and 20A Aldermanbury, in the City of London, and of Wharf Mills, Ravensthorpe, Dewsbury, in the County of Yorkshire, England, Manufacturers.

No. of class : 34.

Description of goods : Cloths and stuffs of wool, worsted, or hair, or mixtures in which these materials predominate.

No. of application : 7730.
Date : 15th December, 1908.

The words TRADE MARK.
"CHERRY BLOSSOM."

NAME.

CHISWICK SOAP COMPANY, of the Chiswick Soapworks, Burlington Lane, Chiswick, in the County of Middlesex, England, Soap and Polish Manufacturers.

No. of class : 50.

Description of goods : Boat-polishes.

No. of application : 7733.
Date : 15th December, 1908.

The words TRADE MARK.
"THE TREASURE HOUSE."

NAME.

STEWART DAWSON AND Co. (N.Z.), LIMITED, corner of Lambton Quay and Willis Street, Wellington, New Zealand, Manufacturing Jewellers, Gold and Silver Smiths, Diamond and Pearl Merchants.

No. of class : 14.

Description of goods : All goods included in this class.

[NOTE.—Class 14 is for "Goods of precious metals (including aluminium, nickel, Britannia metal, &c.) and jewellery, and imitations of such goods and jewellery—such as plate; clock-cases and pencil-cases of such metals; Sheffield and other plated goods; gilt and ormolu work."]

No. of application : 7734.
Date : 17th December, 1908.

The word TRADE MARK.
"CHAMPION."

NAME.

HARDLEY AND HARDLEY, LIMITED, of Auckland, in the Dominion of New Zealand, Manufacturers and Importers.

No. of class : 13.

Description of goods : Sheet metal (both plain, galvanised, and corrugated), and goods made of same, such as basins, pans, baths, cans, and other receptacle forms, and any goods capable of being made from sheet metal; brassware of every kind, including plumbers' cocks, taps, and general fittings.

No. of application : 7735.
Date : 17th December, 1908.

TRADE MARK.

MYLISSIA

NAME.

VINOLIA COMPANY, LIMITED, of Malden Crescent, London, England, Manufacturers.

No. of class : 48.

Description of goods : Perfumery, preparations for the teeth and hair, perfumed soap and other toilet articles.

No. of application : 7736.
Date : 17th December, 1908.

TRADE MARK.

The word

PINAX

NAME.

ARTHUR JOSEPH DADSON, trading as "Koko-Maricopas Company," of 12 Dean's Place, Sydney, New South Wales, in the Commonwealth of Australia, Manufacturers.

No. of class : 48.

Description of goods : Preparations for the hair and teeth, perfumed soap and other toilet articles.

No. of application : 7737.
Date : 17th December, 1908.

TRADE MARK.

The word

"CARLIQSO."

NAME.

WILLIAM PEEL, of 61 Brougham Street, Wellington, New Zealand.

No. of class : 2.

Description of goods : Sanitary liquid soap.

No. of application : 7738.
Date : 17th December, 1908.

TRADE MARK.

The word

"CARLIQSO."

NAME.

WILLIAM PEEL, of 61 Brougham Street, Wellington, New Zealand.

No. of class : 47.

Description of goods : Sanitary liquid soap.

No. of application : 7739.
Date : 17th December, 1908.

TRADE MARK.



NAME.

THE GRAMOPHONE COMPANY, LIMITED, of 21 City Road, in the City and County of London, England, Manufacturers.

No. of class : 8.

Description of goods : Talking-machines, talking-machine parts, needles, accessories, and talking-machine records.

No. of application : 7740.
Date : 18th December, 1908.

TRADE MARK.

The word

"SANGALLI."

NAME.

W. SCULAR AND Co., of Dunedin, in the Dominion of New Zealand, Merchants.

No. of class : 42.

Description of goods : Substances used as food or ingredients in food.

No. of application : 7741.
Date : 18th December, 1908.

TRADE MARK.

The word

"SEVINA."

NAME.

W. SCULAR AND Co., of Dunedin, in the Dominion of New Zealand, Merchants.

No. of class : 42.

Description of goods : Substances used as food or ingredients in food.

No. of application : 7742.

Date : 18th December, 1908.

TRADE MARK.

(The mark as shown in preceding notice No. 7703.)

NAME.

ADAMS LIMITED, of 138-140 High Street, Christchurch, New Zealand, Importers, Repairers, and Manufacturers of Motor-cars, Motor-cycles, and Cycles.

No. of class : 40.

Description of goods : Motor-car, motor-cycle, and cycle tires, and all accessories included in this class.

J. C. LEWIS,
Registrar.

Trade Marks registered.

LIST of Trade Marks registered from the 8th to 18th December, 1908, inclusive :—

- No. 5965/7561.—W. F. Tucker and Co. Class 42. (*Gazette* No. 75, of the 1st October, 1908.)
 No. 5966/7562.—W. F. Tucker and Co. Class 42. (*Gazette* No. 75, of the 1st October, 1908.)
 No. 5967/7563.—W. F. Tucker and Co. Class 42. (*Gazette* No. 75, of the 1st October, 1908.)
 No. 5968/7570.—The Canterbury Frozen Meat and Dairy Produce Export Company, Limited. Class 42. (*Gazette* No. 75, of the 1st October, 1908.)
 No. 5969/7560.—Bowron Bros. and Co., Limited. Class 37. (*Gazette* No. 75, of the 1st October, 1908.)
 No. 5970/7573.—Alcock Manufacturing Company. Class 3. (*Gazette* No. 75, of the 1st October, 1908.)
 No. 5971/7574.—Bryant and May, Limited. Class 47. (*Gazette* No. 75, of the 1st October, 1908.)
 No. 5972/6547.—Welch, Margetson, and Co. Class 38. (*Gazette* No. 35, of the 30th April, 1908.)
 No. 5973/7540.—Neill and Co., Limited. Class 42. (*Gazette* No. 75, of the 1st October, 1908.)
 No. 5974/7564.—Farmer's Sanitary Pan Company of New Zealand. Class 2. (*Gazette* No. 75, of the 1st October, 1908.)
 No. 5975/7582.—Sargood, Son, and Ewen, Limited. Class 38. (*Gazette* No. 79, of the 15th October, 1908.)
 No. 5976/7042.—C. G. Alcorn. Class 3. (*Gazette* No. 105, of the 12th December, 1907.)
 No. 5977/7606.—Ellis and Manton. Class 42. (*Gazette* No. 79, of the 15th October, 1908.)

Subsequent Proprietor of Trade Mark registered.

[NOTE.—The name of the former proprietor is given in brackets; the date is that of registration.]

NO. 37/953.—Curlier et Cie, of No. 69 Cour St. Emilion, Port de Bercy, Paris, France, Wine and Spirit Merchants. [F. J. Curlier, Curlier Frères.] 6th December, 1908.

No. 5516/4334.—Henry Edward Bennett, of 32 Fenchurch Street, London, England, Merchant. [Joseph Nathan and Co., Limited.] 8th December, 1901.

Trade Mark Renewal Fees paid.

FEEES paid for the renewal of the undermentioned Trade Marks for fourteen years from the date first mentioned :—

No. 1387/1104.—8th February, 1909.—H. and H. E. Law, of San Francisco, U.S.A. 10th December, 1908.

No. 1396/1108.—27th February, 1909.—F. Levic, of Sydney, Australia. 9th December, 1908.

Nos. 1399/1128, 1400/1119, 1401/1242, and 1402/1120.—28th February, 1909.—Anglo-British Columbia Packing Company, Limited, of London, England. 9th December, 1908.

Nos. 1454/1165 and 1455/1166.—24th June, 1909.—T. C. Williams Company, of Richmond, U.S.A. 15th December, 1908.

Nos. 1486/1182 and 1487/1183.—16th August, 1909.—T. C. Williams Company, of Richmond, U.S.A. 15th December, 1908.

Trade Marks removed from the Register.

TRADe Marks removed from the Register owing to the non-payment of the renewal fee, from the 8th to the 21st December, 1908, inclusive :—

No. 1236/1098.—10th September, 1894.—H. Callister, Carterton, New Zealand. Class 42.

No. 1237/977.—12th September, 1894.—G. F. Newman, Rangitata, New Zealand. Class 47.

Nos. 1241/954, 1242/955, 1243/956, 1244/957, 1245/958, 1246/959, 1247/960, 1248/961, 1249/962, 1250/963, 1251/964, 1252/965, 1253/966, and 1254/967.—17th September, 1894.—Sargood, Son, and Ewen, Dunedin, New Zealand. Class 38.

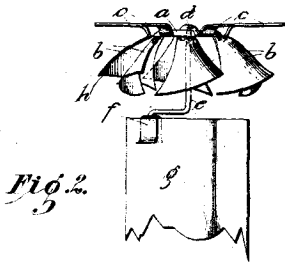
No. 1256/951.—20th September, 1894.—J. Napier, Mornington, New Zealand. Class 38.

No. 1257/1168.—19th September, 1894.—J. C. M. Karsten, Lower Hutt, New Zealand. Class 38.

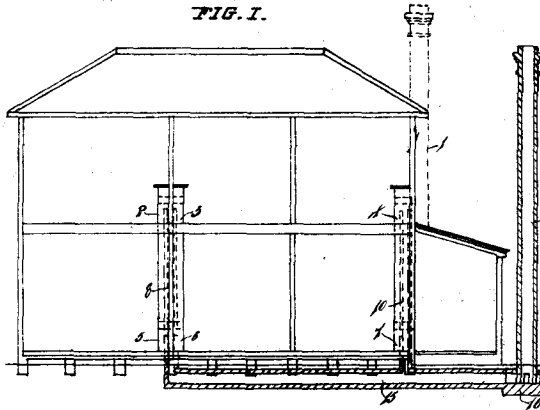
By Authority : JOHN MACKAY, Government Printer, Wellington.

ILLUSTRATIONS OF INVENTIONS.

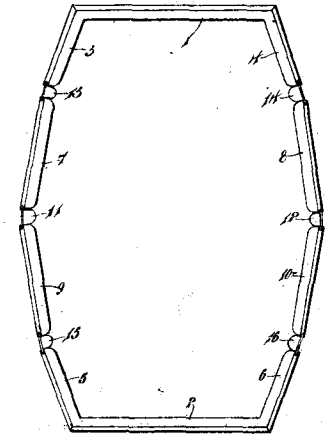
[These illustrations refer to the complete specifications accepted, and advertised in this *Gazette*.]



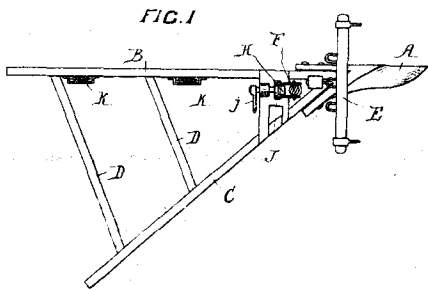
23550
Jarrett. Lamp-globe Attachment.



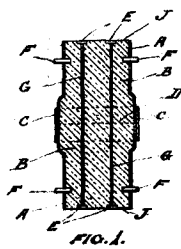
23793
Tonks. Chimney.



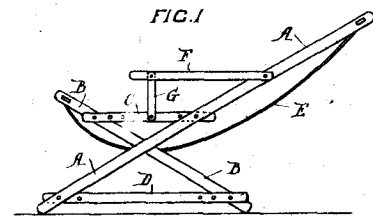
23875
Cullimore. Billiard-table.



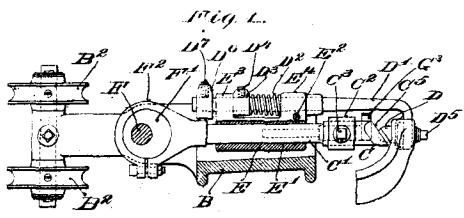
23806
McHalick. Road-forming Implement.



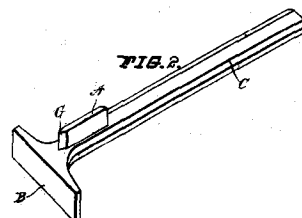
23911
Cairns. Electrical Plug.



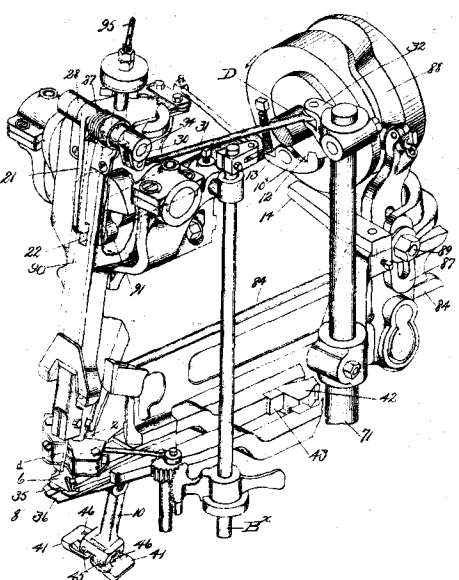
23926
Garner-Jones. Folding-chair.



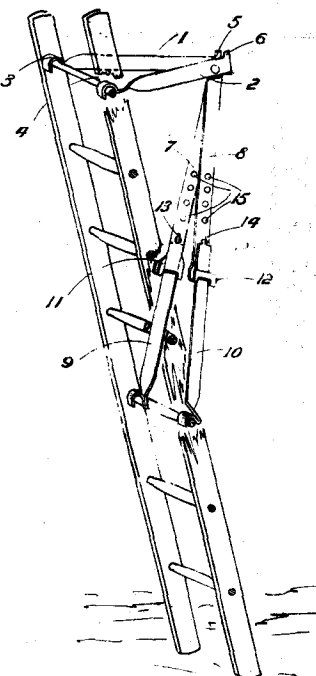
23811
United Shoe Machinery Company. Inseam-trimming Machine. (Bates.)



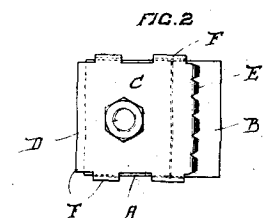
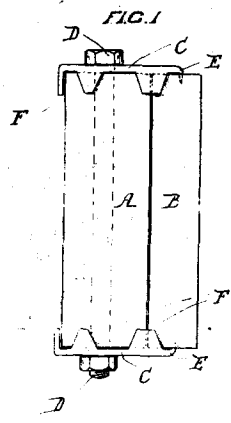
23923
Anderson, Free, and Hampton. Cramp.



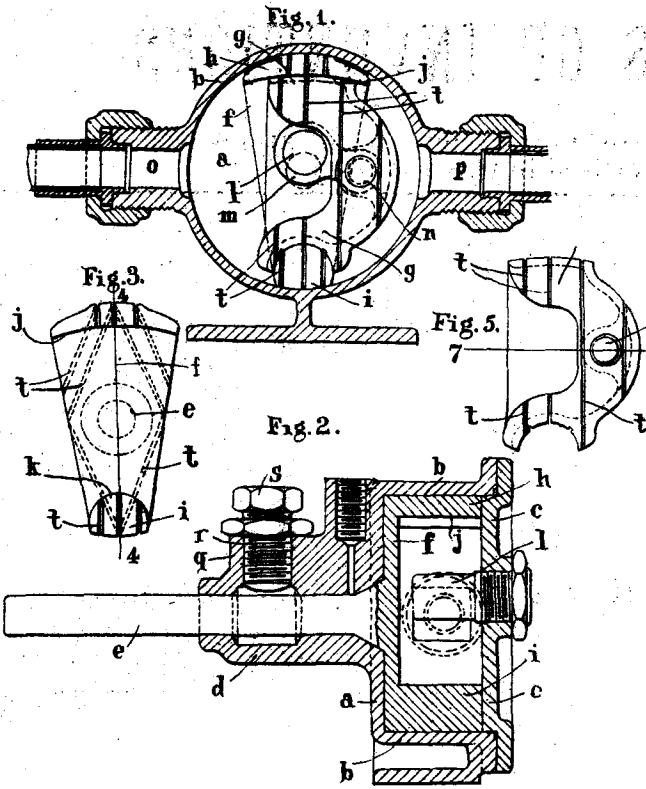
23915
United Shoe Machinery Company. Lasting-machine. (Cavanagh)



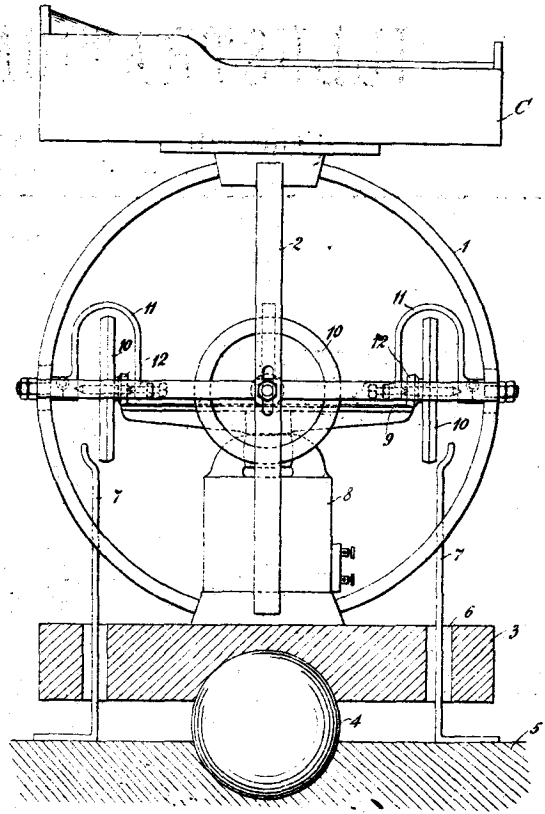
23986
Roe-buck and Paulin. Ladder-platform Brack.



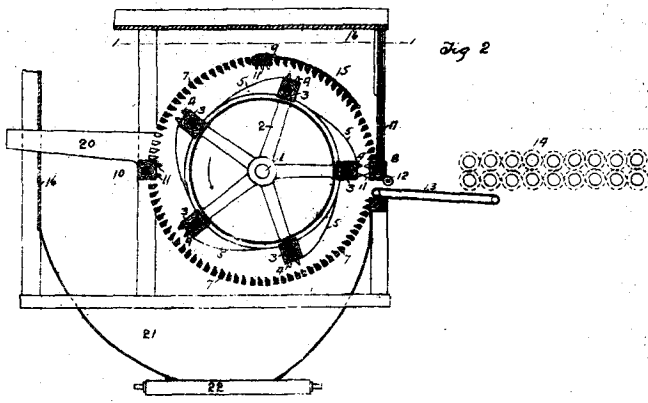
23946
Wilton. Brake-block Wearing-strip.



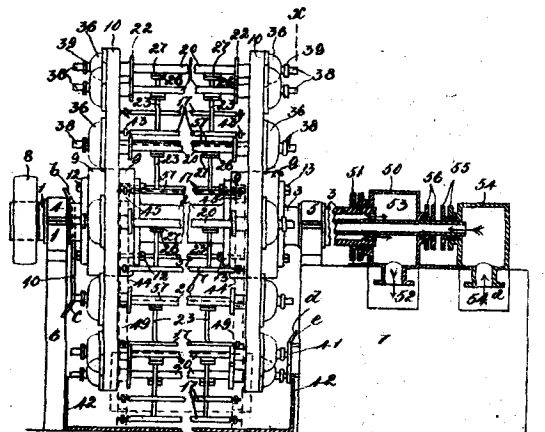
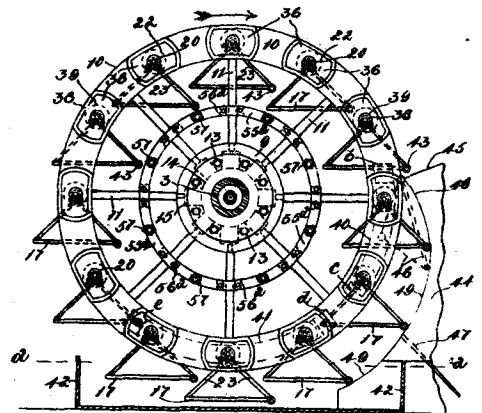
25187
Lamplough, de Peyrecave, and Evans and Sons, Poplar (Limited).
Rotary Motor.



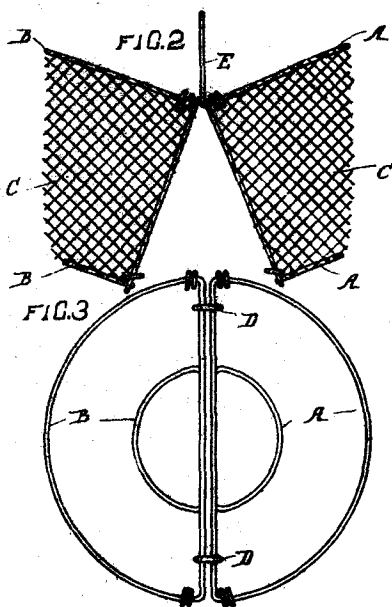
25174
Anne of Lowenstein Wertheim. Self-levelling Cot, &c.



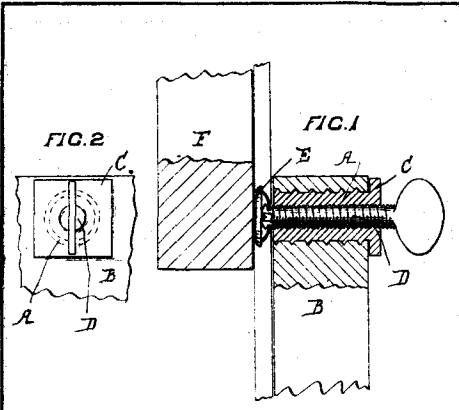
25148
Toles. Fibre-cleaning.



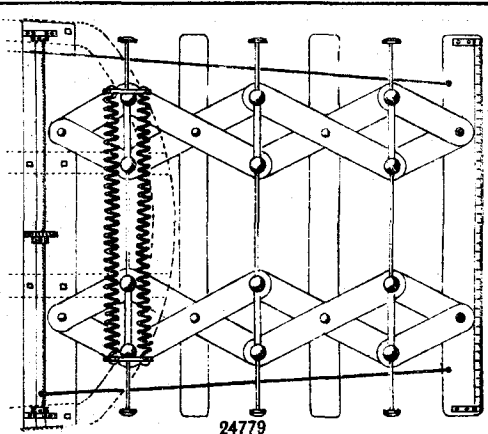
25180
Arbuckle and Osborne. Filter.



25212
Ross. Clothes-drainer.



23989 Gribble. Window-sash Lock.



24779 Mayson and Edgar. Tram, &c., Life-guard.

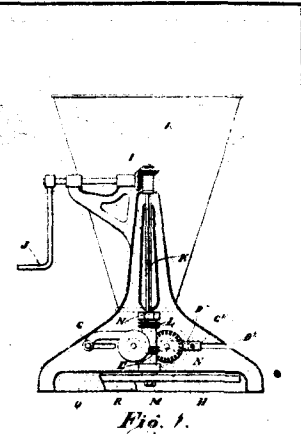
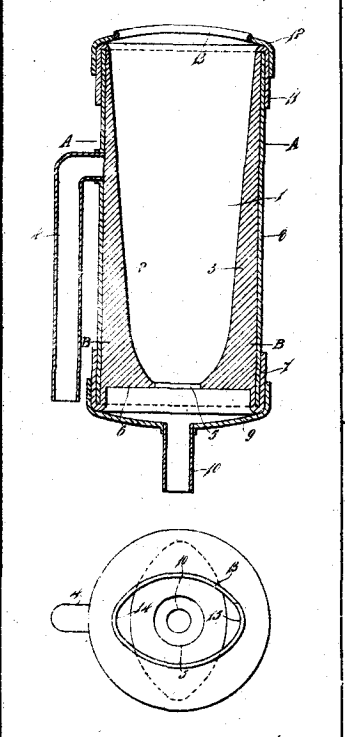
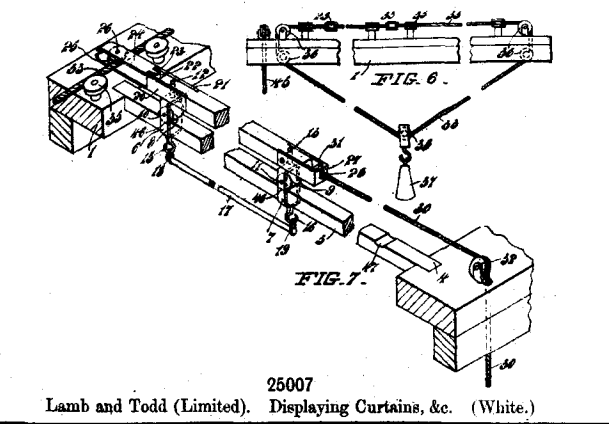


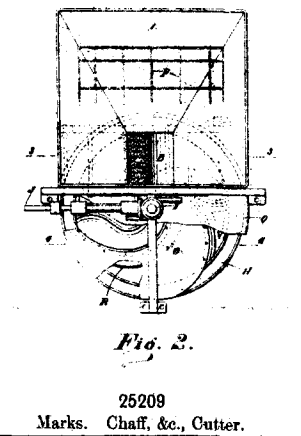
Fig. 1.



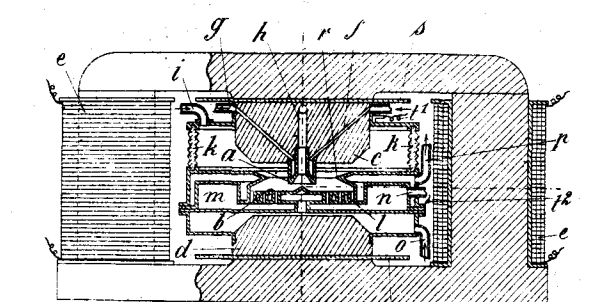
24034 Blake. Teat-cup.



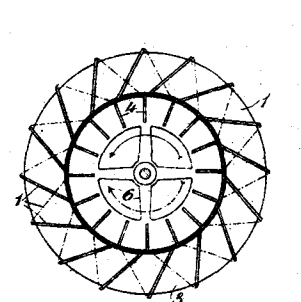
25007 Lamb and Todd (Limited). Displaying Curtains, &c. (White).



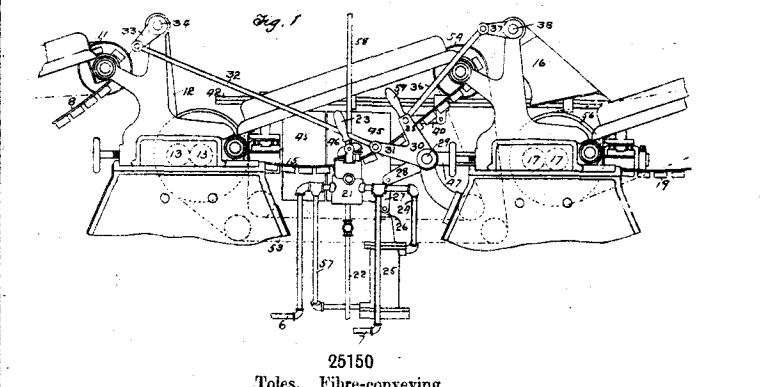
25209 Marks. Chaff, &c., Cutter.



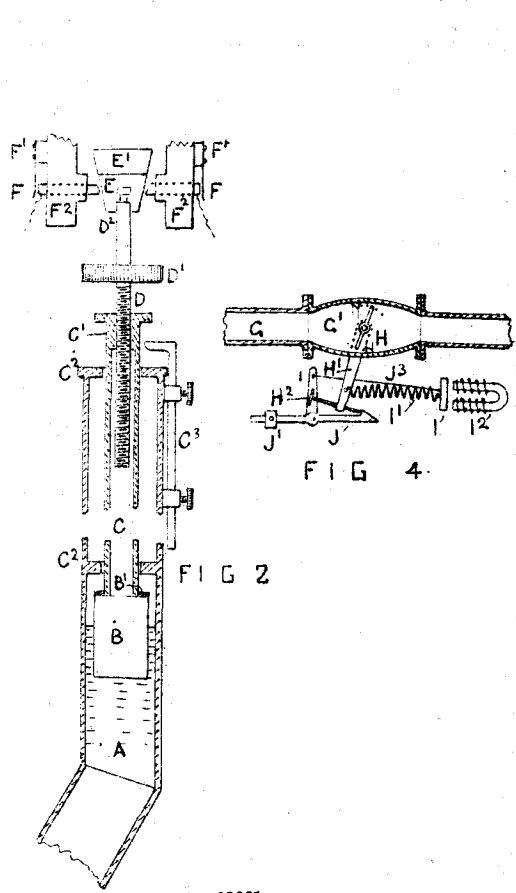
25148 Moseicki. Producing Oxides of Nitrogen.



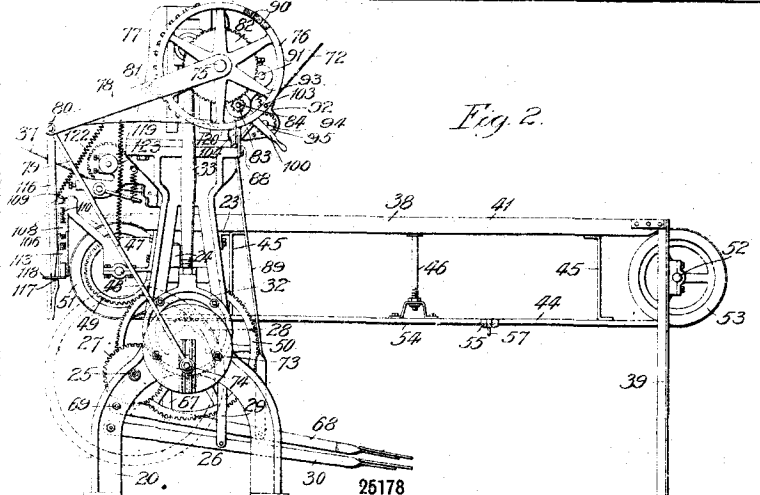
25105 de Irabien. Turbine.



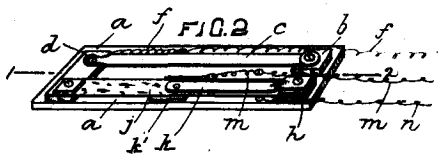
25150 Toles. Fibre-conveying.



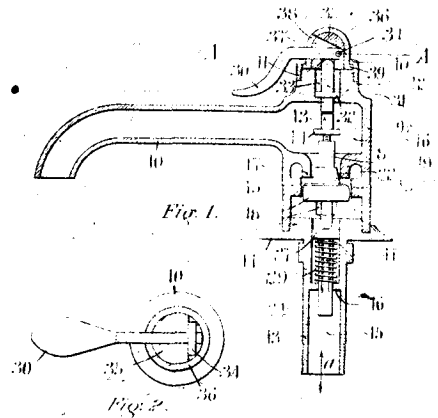
25221 Beilby. Preventing Propellers Racing.



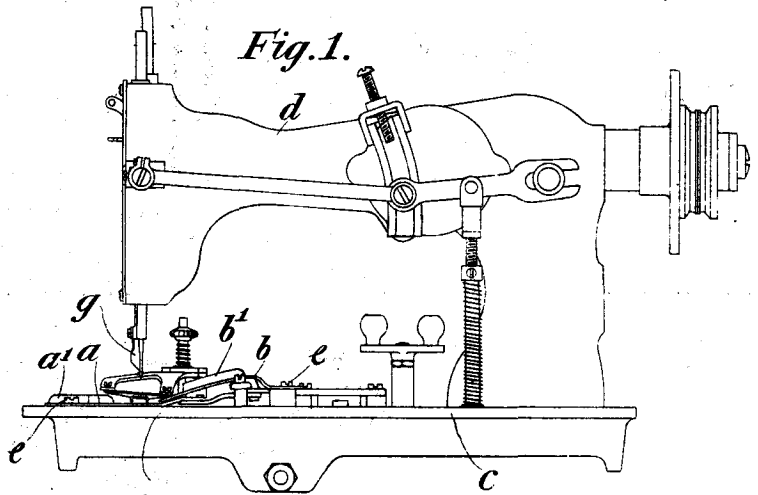
25178 Phillips. Box Manufacture. (National Wire-bound Box Company). Inwood and Chapman.



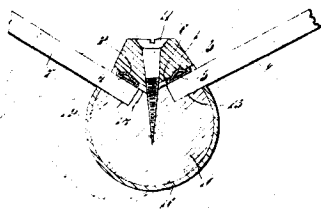
25157
Moss and Dombrain. Baled-goods Indicator.



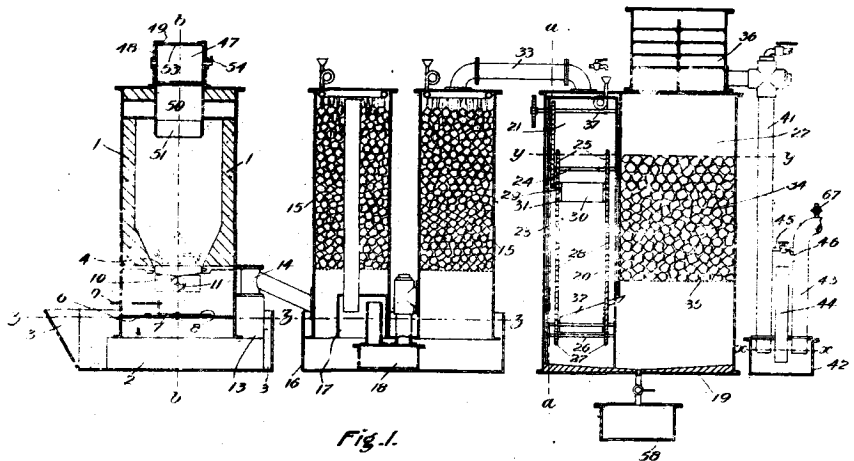
25170
Whitney. Faucet.



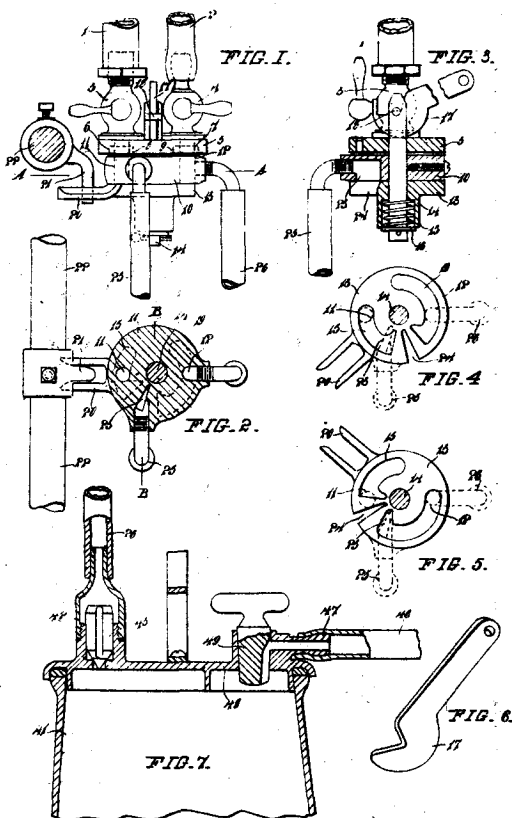
25154
Tillie. Buttonhole-machine.



25216
Low. Glazing-bar.



25176
Temple. Gas-generator, &c.



25177
Wiggins. Milking-machine.

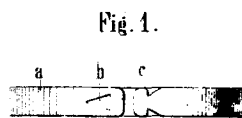
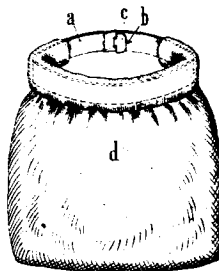
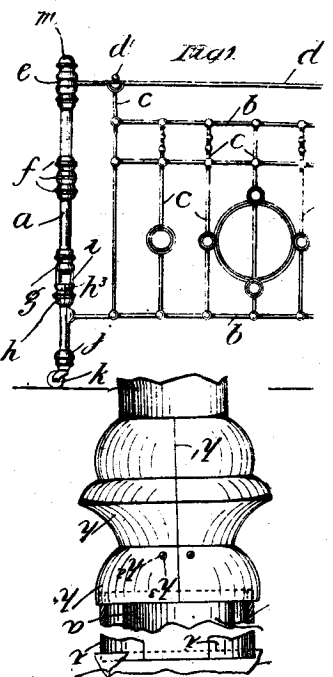


Fig. 2.



25196
Karutz. Bag-closing Device.



25175
Stephenson. Bedstead-post Mount.